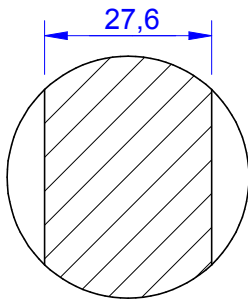
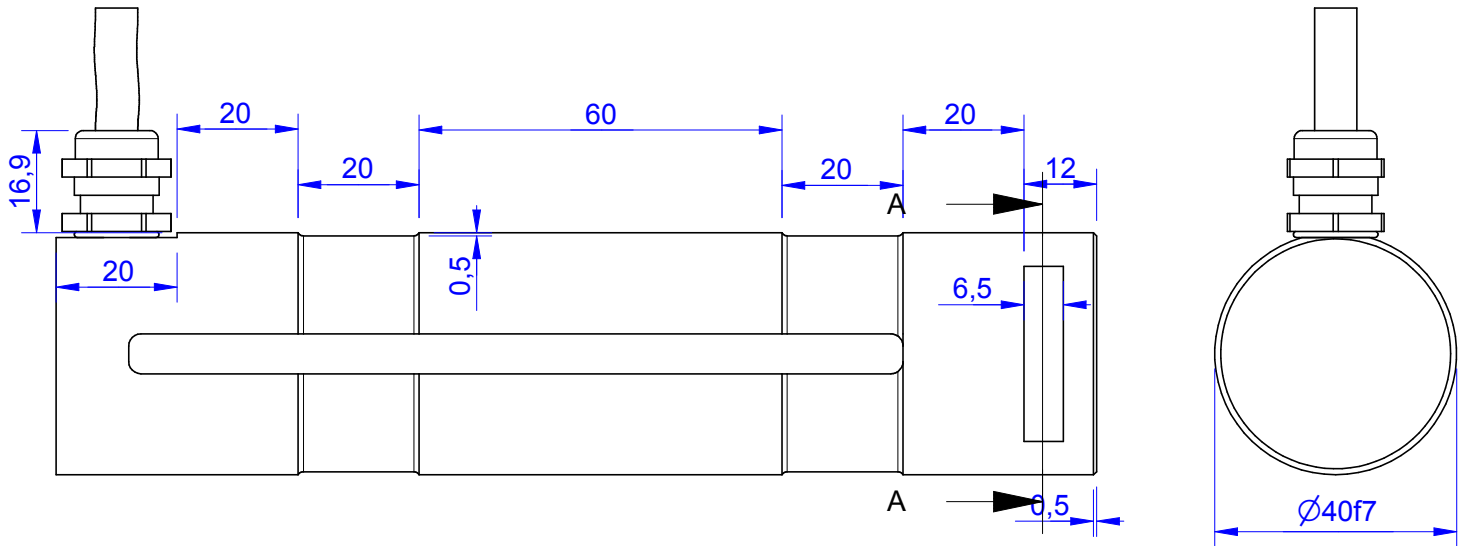
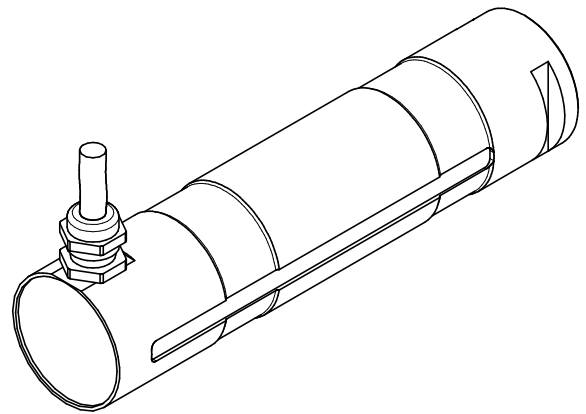


MB302

Load Pin



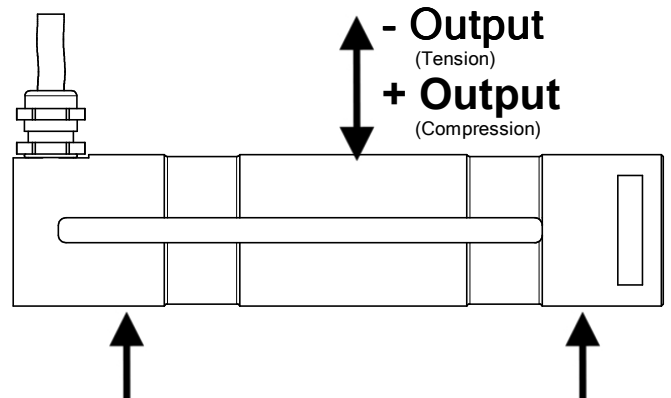
Section A-A



Order no.	Capacity (F.S.)	Review
MB302-300-A	300 kN	A

Specifications: (Customizing on request)

Dimension / Material		
Material		Stainless Steel
Protection class		IP 64
Mechanical Data		
Safe Load Limit	% of F.S.	105
Breaking Load	% of F.S.	150
Electrical Data		
Rated Output	mV/V@F.S.	2
Zero Balance	mV/V	±0,05
Excitation (Maximum)	Volt	10
Input Resistance	Ohm	450±100
Output Resistance	Ohm	352±2
Insulating Resistance	GOhm	>5
Precision		
Precisionclass	%	1
Nonlinearity	% of F.S.	± 0,5
Nonrepeatability	% of F.S.	± 0,25
Hysteresis	% of F.S.	± 0,2
Temp. Shift Zero	% of F.S./K.	±0,05
Temp. Shift Span	% of F.S./K.	±0,05
Temperature		
Compensated Temp.	°C	-10...+60
Operating Temp.	°C	-20...+70



Wiringcode:	WC52	Cabletype:	2x2x0,25 PUR	
Cable Length	5 m	Excitation (+)	Excitation (-)	Bridge (+) / Bridge (-)
		brown	white	green / yellow

Batarow
Made in Germany

Batarow Sensorik GmbH
Karow 17
18276 Lüssow

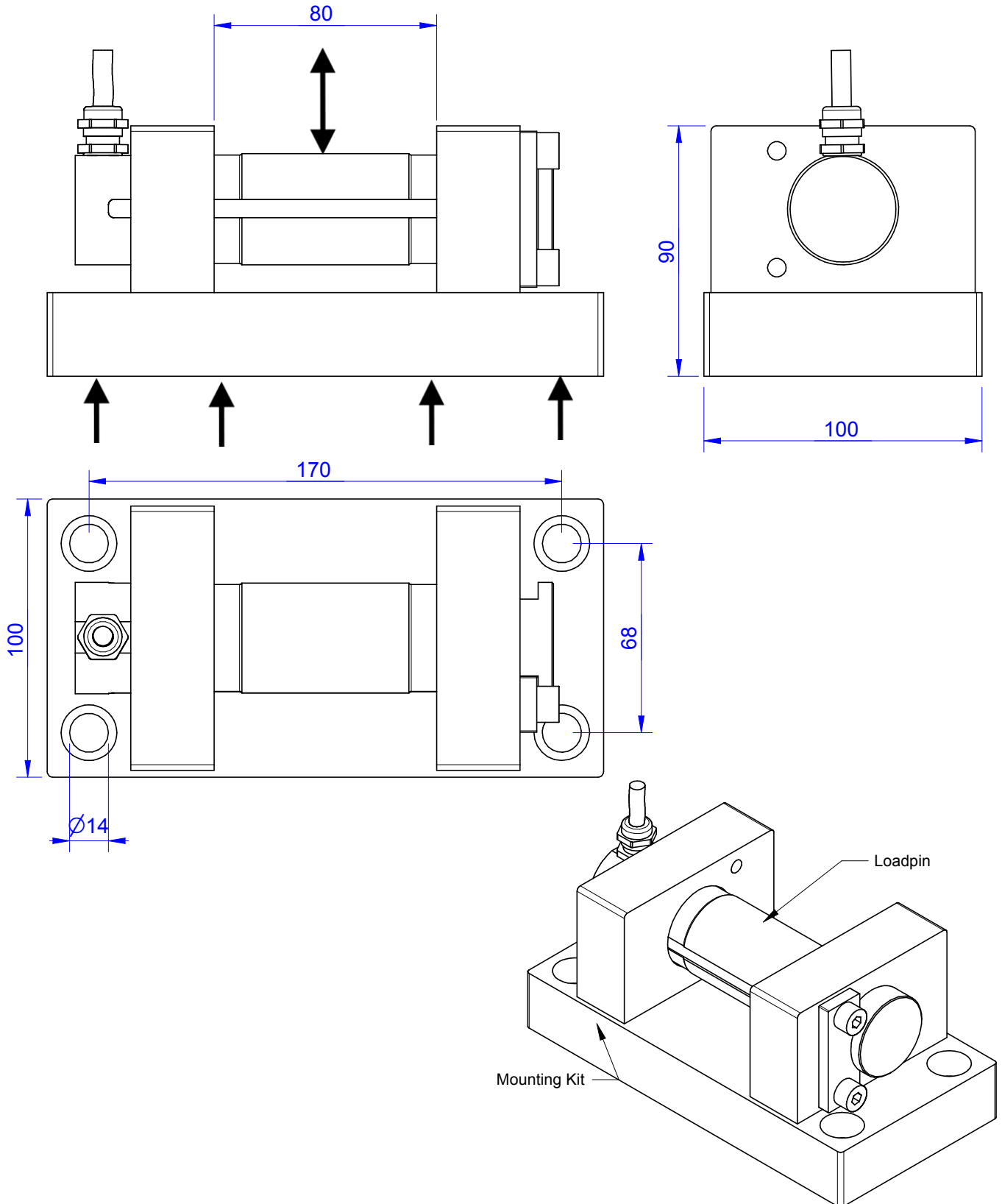
Mail: info@batarow.com
Phone: +49 (0) 3843-855555
Fax : +49 (0) 3843-218842

Internet:
www.batarow.com

Mounting Situation

MB302 Review: A

Configuration 1 (Standard)



Batarow
Made in Germany

Batarow Sensorik GmbH
Karow 17
18276 Lüssow

Mail: info@batarow.com
Phone: +49 (0) 3843-855555
Fax : +49 (0) 3843-218842

Internet:
www.batarow.com