

# MB1659

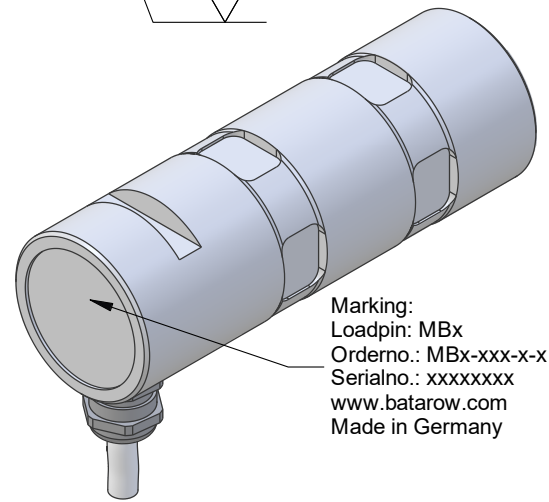
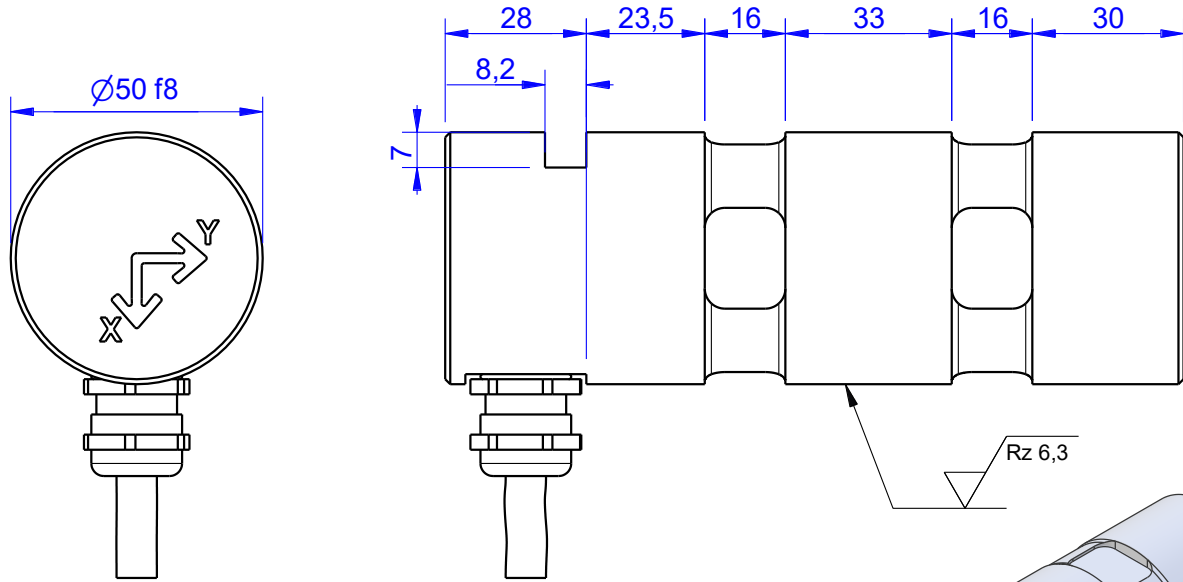
X-Y Axis Load Pin

## Content of Loadpin Datasheet

Page 1 ... General

Page 2 ... Mounting Situation

Page 3 ... Output Signal & Wiring

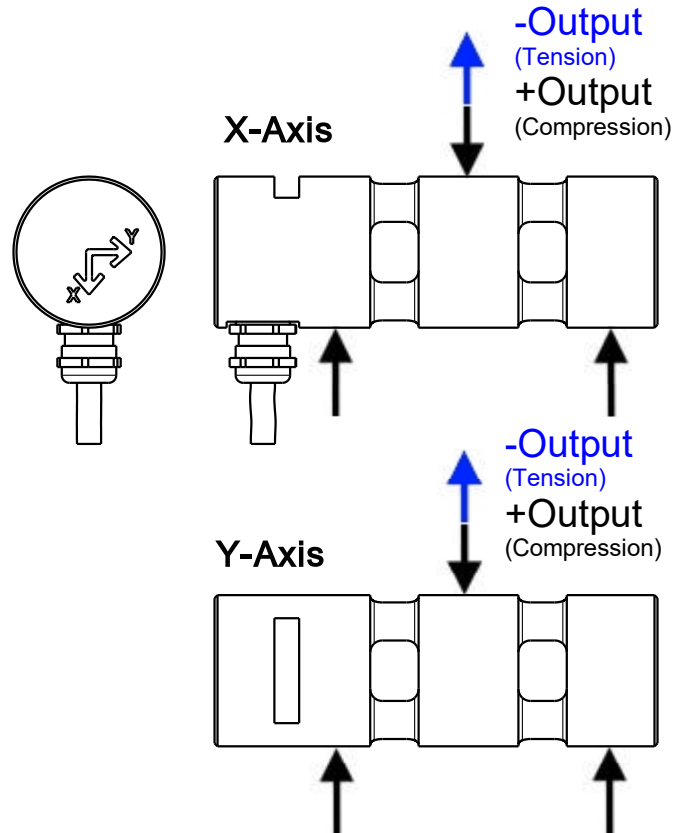


Ordernumber	Capacity [kN] (F.S.)	Uncertainty [kN] (k=2)	Review
MB1659-20-x-A	20	± 0,10	A
MB1659-50-x-A	50	± 0,25	A
MB1659-100-x-A*	100	± 0,50	A
MB1659-140-x-A	140	± 0,70	A
MB1659-200-x-A	200	± 1,00	A

\* above showed version  
 fixed dimensions don't change at other capacity

### Specifications:

Dimension / Material		
Material		Stainless Steel
Protection class		IP 66
Hardness (load area)	HRC	40..45
<b>Mechanical Data</b>		
Safe Load Limit	% of F.S.	150
Breaking Load	% of F.S.	300
<b>Precision</b>		
Nonlinearity	% of F.S.	±0,5
Nonrepeatability	% of F.S.	±0,25
Hysteresis	% of F.S.	±0,2
Temp. Shift Zero	% of F.S./K.	±0,05
Temp. Shift Span	% of F.S./K.	±0,05
<b>Temperature</b>		
Compensated Temp.	°C	-10...+60
Operating Temp.	°C	-20...+70



**Batarow**  
 Made in Germany

Batarow Sensorik GmbH  
 Gewerbegebiet 4  
 18276 Lüssow OT Karow

Mail: info@batarow.com  
 Phone: +49 (0) 3843-855555  
 Fax : +49 (0) 3843-855556

Internet:  
 www.batarow.com

# Mounting Situation

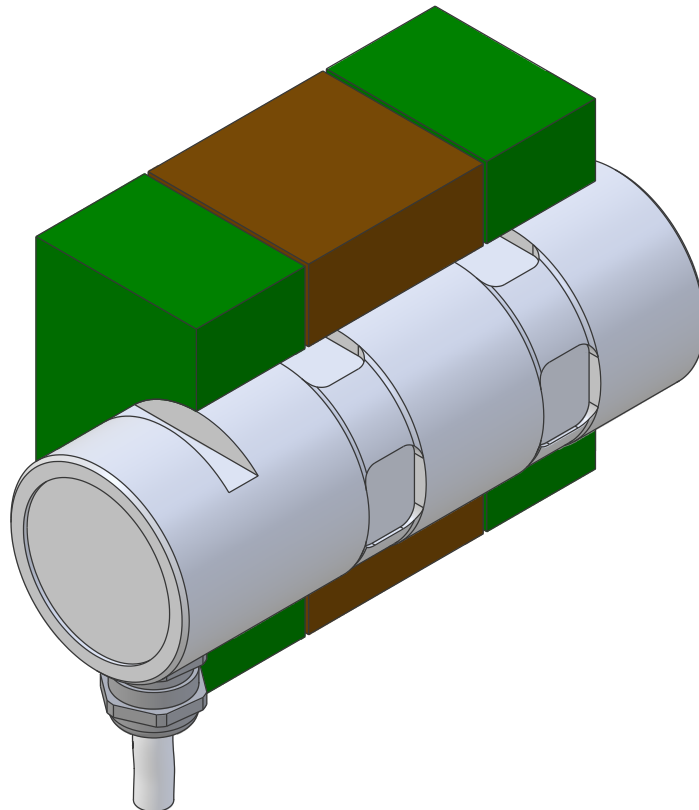
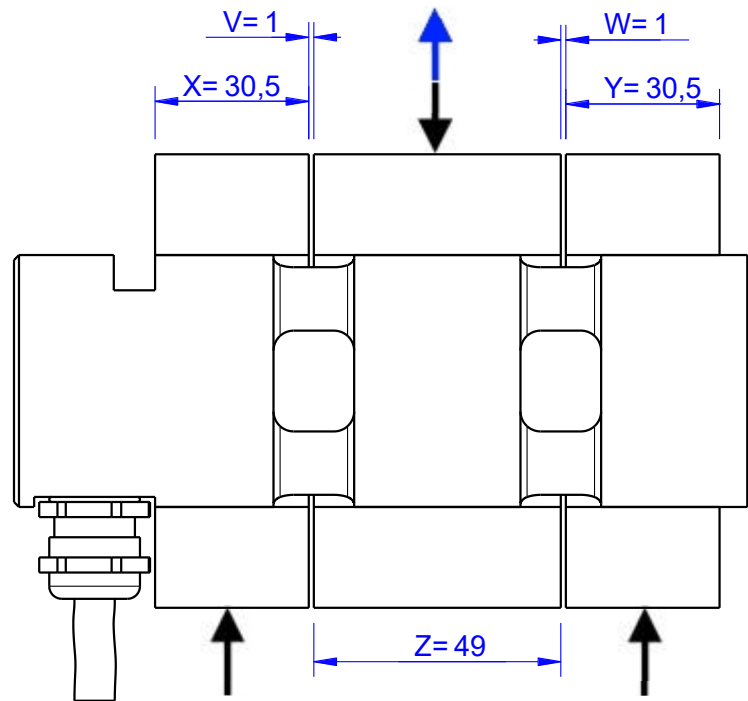
MB1659 Review: A

Bore fit of mounting situation: H7

## Configuration

possible mounting situation / customer mounting could vary

(Please describe mounting situation with Vs, Ws, Xs, Ys and Zs for best possible calibration)



**Batarow**  
Made in Germany

Batarow Sensorik GmbH  
Gewerbegebiet 4  
18276 Lüssow OT Karow

Mail: [info@batarow.com](mailto:info@batarow.com)  
Phone: +49 (0) 3843-855555  
Fax : +49 (0) 3843-855556

Internet:  
[www.batarow.com](http://www.batarow.com)

# Output Signal & Wiring

MB1659 Review: A

## Analog Output mV/V (S1)

Electrical Data		
Rated Output	mV/V@F.S.	1
Zero Balance	mV/V	±0,05
Excitation (Maximum)	Volt	10
Input Resistance	Ohm	1300±100
Output Resistance	Ohm	1002±2
Insulating Resistance	GOhm	>5

Ordernumber Add-On:  
MBxxx-x-S1-x

Wiringcode:WC63				
Cabeling:6x2x0,25 15m				
	X-Axis		Y-Axis	
Excitation (+)	+Us	brown	+Us	blue
Excitation (-)	-Us	white	-Us	red
Signal (+)	+Ud	green	+Ud	black
Signal (-)	-Ud	yellow	-Ud	purple
Sense (+)	+Uf	pink	+Uf	grey/pink
Sense (-)	-Uf	grey	-Uf	red/pink

Attention: Nipple orientation of connector is not fixed. In case of 90° connector - it is necessary to set by customer.

\*Attention: With this output configuration is no negative signal (Tension) possible. Please ask our engineering for 4..12..20mA; 1..5..9V or ±10V versions.

**Batarow**  
Made in Germany

Batarow Sensorik GmbH  
Gewerbegebiet 4  
18276 Lüssow OT Karow

Mail: [info@batarow.com](mailto:info@batarow.com)  
Phone: +49 (0) 3843-855555  
Fax : +49 (0) 3843-855556

Internet:  
[www.batarow.com](http://www.batarow.com)