

MB1653

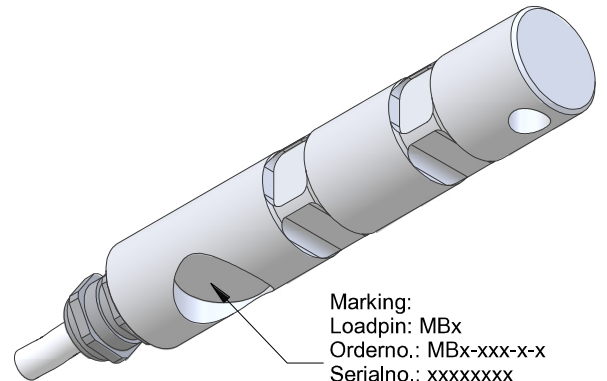
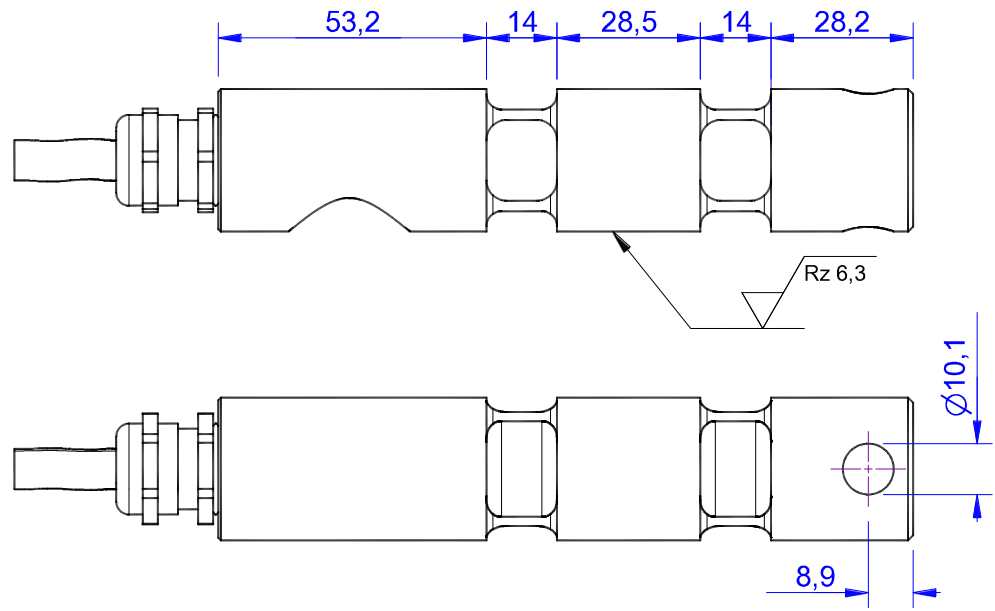
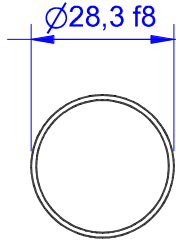
Load Pin

Content of Loadpin Datasheet

Page 1 ... General

Page 2 ... Mounting Situation

Page 3 ... Output Signal & Wiring



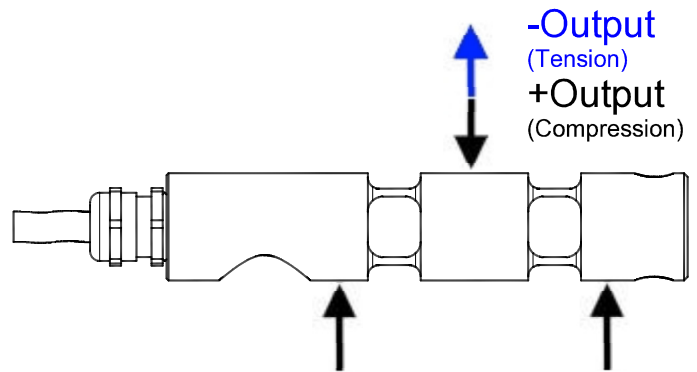
Marking:
Loadpin: MBx
Orderno.: MBx-xxx-x-x
Serialno.: xxxxxxxx
www.batarow.com
Made in Germany

Ordernumber	Capacity [kN] (F.S.)	Uncertainty [kN] (k=2)	Review
MB1653-25-x-A*	25	± 0,125	A
MB1653-30-x-A	30	± 0,15	A
MB1653-100-x-A	100	± 0,50	A
MB1653-140-x-A	140	± 0,70	A
MB1653-200-x-A	200	± 1,00	A

* above showed version
fixed dimensions don't change at other capacity

Specifications:

Dimension / Material		
Material		Stainless Steel
Protection class		IP 66
Hardness (load area)	HRC	40..45
Mechanical Data		
Safe Load Limit	% of F.S.	150
Breaking Load	% of F.S.	300
Precision		
Nonlinearity	% of F.S.	±0,5
Nonrepeatability	% of F.S.	±0,25
Hysteresis	% of F.S.	±0,2
Temp. Shift Zero	% of F.S./K.	±0,05
Temp. Shift Span	% of F.S./K.	±0,05
Temperature		
Compensated Temp.	°C	-10...+60
Operating Temp.	°C	-20...+70



Batarow
Made in Germany

Batarow Sensorik GmbH
Gewerbegebiet 4
18276 Lüssow OT Karow

Mail: info@batarow.com
Phone: +49 (0) 3843-855555
Fax: +49 (0) 3843-855556

Internet:
www.batarow.com

Mounting Situation

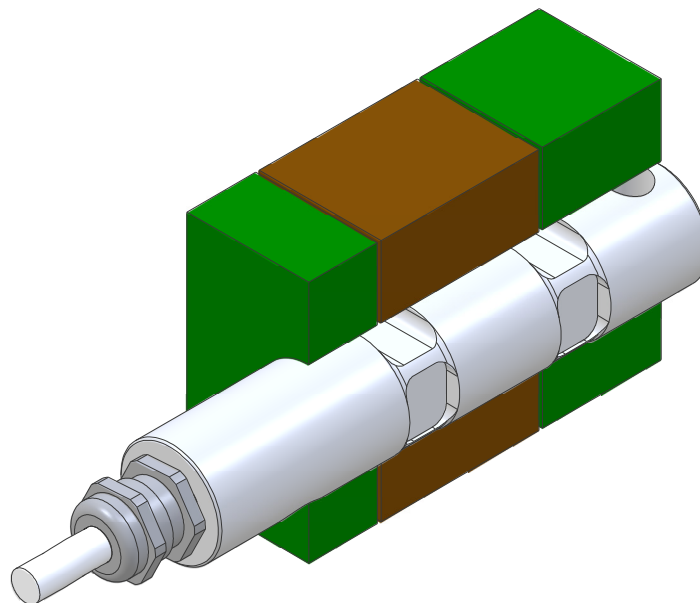
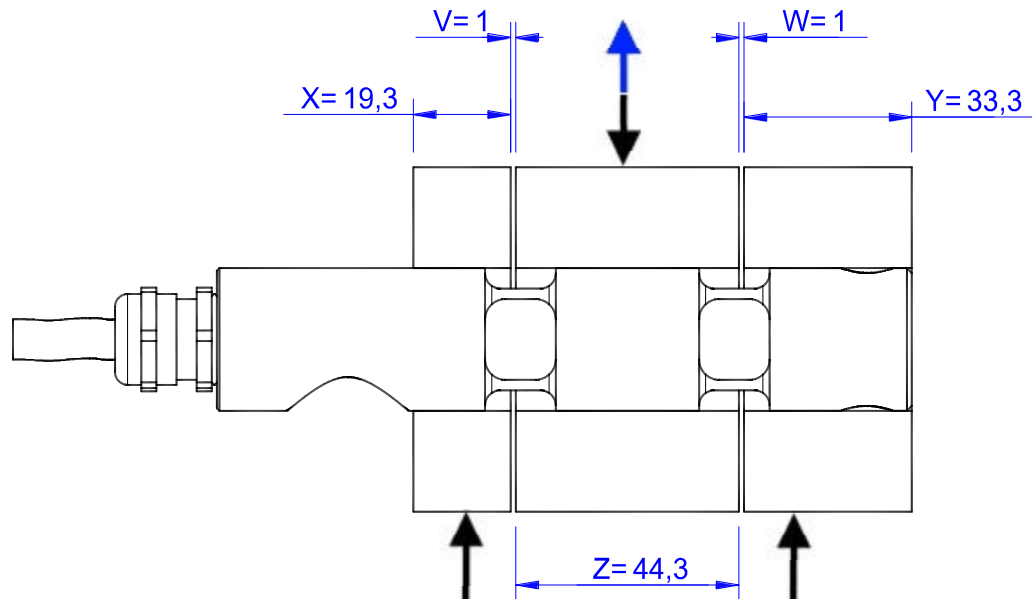
MB1653 Review: A

Bore fit of mounting situation: H7

Configuration

possible mounting situation / customer mounting could vary

(Please describe mounting situation with Vs, Ws, Xs, Ys and Zs for best possible calibration)



Output Signal & Wiring

MB1653 Review: A

Analog Output mV/V (S1)

Electrical Data		
Rated Output	mV/V@F.S.	1
Zero Balance	mV/V	$\pm 0,05$
Excitation (Maximum)	Volt	10
Input Resistance	Ohm	450 ± 100
Output Resistance	Ohm	352 ± 2
Insulating Resistance	GOhm	>5

Wiringcode: WC52		Cabletype: 4x0,14xLapp FD		
Cable Length	Excitation (+)	Excitation (-)	Bridge (+)	Bridge (-)
1 m	brown	white	green	yellow

Ordernumber Add-On:
MBxxx-x-S1-x

Analog Output 0V..10V (U8)*

Electrical Data U8		
Output @ -F.S.	V	$2,5 \pm 0,1$
Output @ 0kN	V	$5 \pm 0,1$
Output @ +F.S.	V	$7,5 \pm 0,1$
Supply Voltage	V	10 ± 1
Current Consumption	mA	25
Bandwidth	kHz	$2,2 \pm 0,2$

Wiringcode: WC23			
Cabeling: 1 m 3 x 0,14 Lapp FD			
Supply(+)	Ground (-)	Output	n.c.
brown	white	green	

Ordernumber Add-On:
MBxxx-x-U8-x

Analog Output 4..20mA (I4)*

Electrical Data I4		
Output @ -F.S.	mA	$4 \pm 0,3$
Output @ 0kN	mA	$12 \pm 0,3$
Output @ +F.S.	mA	$20 \pm 0,3$
Supply Voltage	V	12 ± 1
Current Consumption	mA	45 (@ 12V)
Bandwidth	kHz	$2,2 \pm 0,2$

Wiringcode: WC23			
Cabeling: 1 m 3 x 0,14 Lapp FD			
Supply(+)	Ground (-)	Output	n.c.
brown	white	green	

Ordernumber Add-On:
MBxxx-x-I4-x

Attention: Nipple orientation of connector is not fixed. In case of 90° connector - it is necessary to set by customer.

*Attention: With this output configuration is no negative signal (Tension) possible. Please ask our engineering for 4..12..20mA; 1..5..9V or $\pm 10V$ versions.

Batarow
Made in Germany

Batarow Sensorik GmbH
Gewerbegebiet 4
18276 Lüssow OT Karow

Mail: info@batarow.com
Phone: +49 (0) 3843-855555
Fax: +49 (0) 3843-855556

Internet:
www.batarow.com