

MB1617

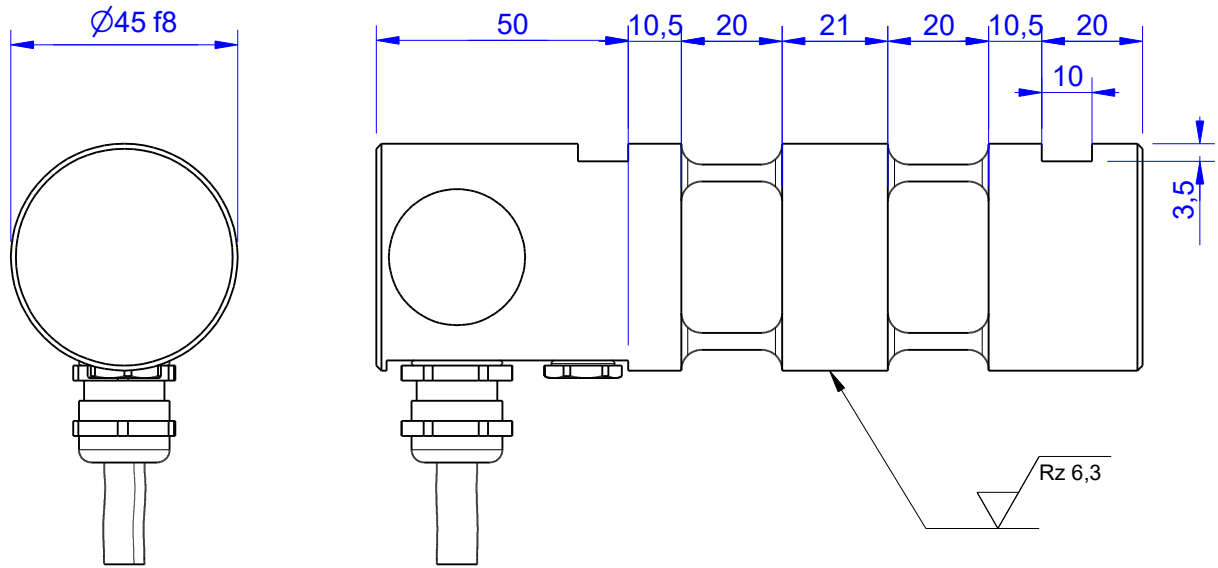
Redundant Load Pin

Content of Loadpin Datasheet

Page 1 ... General

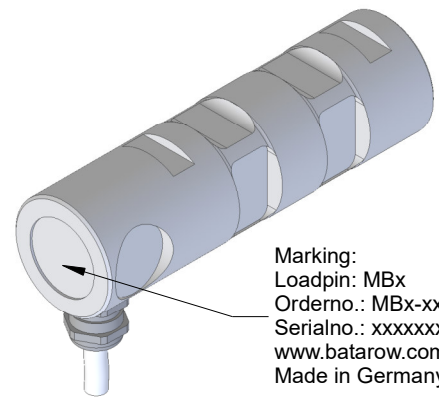
Page 2 ... Mounting Situation

Page 3 ... Output Signal & Wiring



Ordernumber	Capacity [kN] (F.S.)	Uncertainty [kN] (k=2)	Review
MB1617-20-x-A	20	± 0,10	A
MB1617-50-x-A*	50	± 0,25	A
MB1617-100-x-A	100	± 0,50	A
MB1617-140-x-A	140	± 0,70	A
MB1617-200-x-A	200	± 1,00	A

* above showed version
fixed dimensions don't change at other capacity

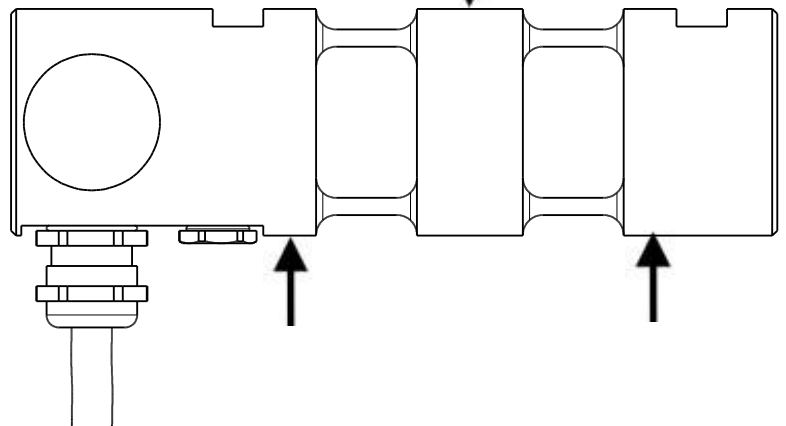


Marking:
Loadpin: MBx
Orderno.: MBx-xxx-x-x
Serialno.: xxxxxxxx
www.batarow.com
Made in Germany

-Output
(Tension)
+Output
(Compression)

Specifications:

Dimension / Material		Stainless Steel
Material		IP 66
Protection class		40..45
Hardness (load area)	HRC	
Mechanical Data		
Safe Load Limit	% of F.S.	150
Breaking Load	% of F.S.	300
Precision		
Nonlinearity	% of F.S.	±0,5
Nonrepeatability	% of F.S.	±0,25
Hysteresis	% of F.S.	±0,2
Temp. Shift Zero	% of F.S./K.	±0,05
Temp. Shift Span	% of F.S./K.	±0,05
Temperature		
Compensated Temp.	°C	-10...+60
Operating Temp.	°C	-20...+70



Batarow
Made in Germany

Batarow Sensorik GmbH
Gewerbegebiet 4
18276 Lüssow OT Karow

Mail: info@batarow.com
Phone: +49 (0) 3843-855555
Fax : +49 (0) 3843-855556

Internet:
www.batarow.com

Mounting Situation

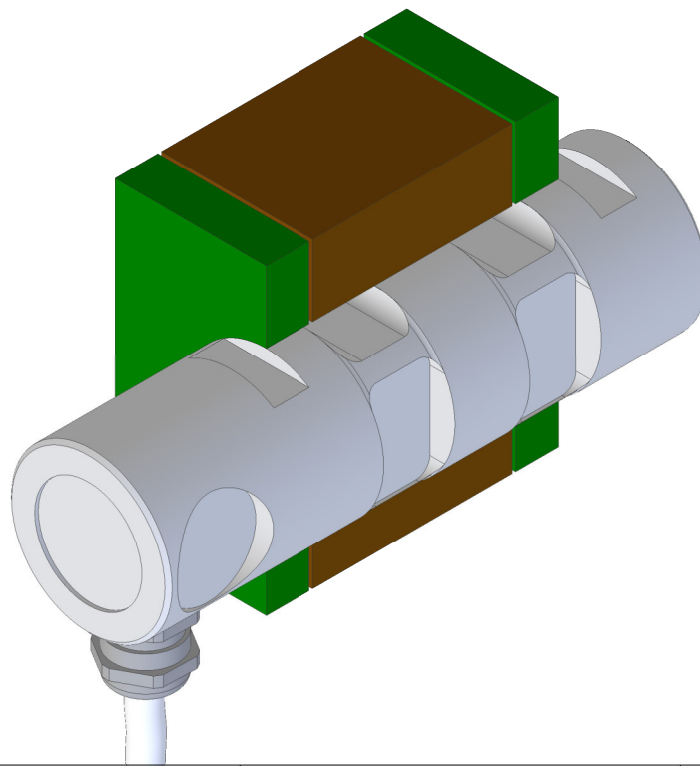
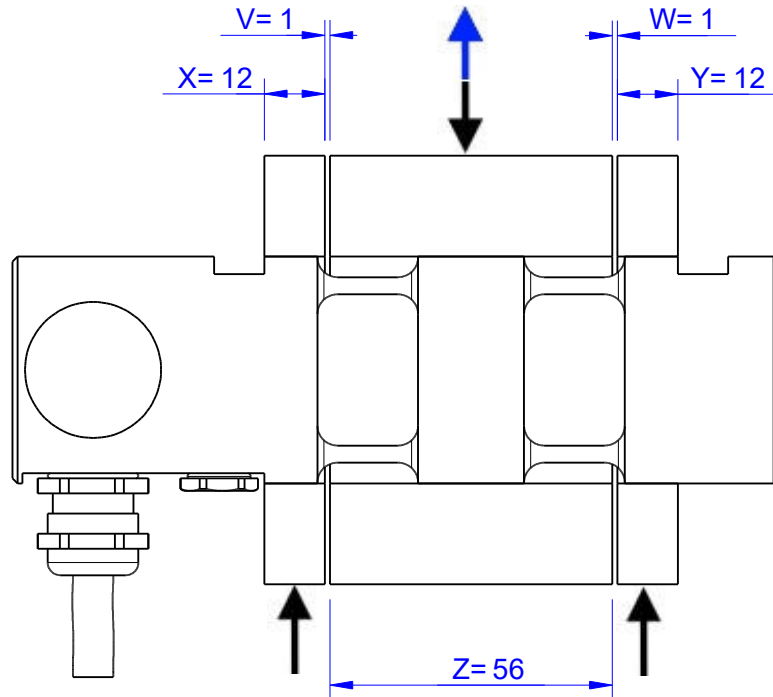
MB1617 Review: A

Bore fit of mounting situation: H7

Configuration

possible mounting situation / customer mounting could vary

(Please describe mounting situation with Vs, Ws, Xs, Ys and Zs for best possible calibration)



Batarow
Made in Germany

Batarow Sensorik GmbH
Gewerbegebiet 4
18276 Lüssow OT Karow

Mail: info@batarow.com
Phone: +49 (0) 3843-855555
Fax : +49 (0) 3843-855556

Internet:
www.batarow.com

Output Signal & Wiring

MB1617 Review: A

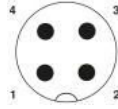
Analog Output 0V..10V (U1)*

Electrical Data U1		
Output @ 0kN	V	0
Output @ F.S.	V	10
Supply Voltage	V	24
Current Consumption	mA	25 (@ 24V)
Bandwidth	kHz	1

Wiringcode: WC515			
integrated Amplifier GSV			
Cabeling: 10m 3x2x0,25 PVC			
Master		Slave	
Supply (+)	brown	Supply (+)	yellow
Ground (-)	white	Ground (-)	grey
Output	green	Output	pink

Configuration connector

Wiringcode: WC527		
Integreted Amplifier: GSV-13		
Connectortype: M5 (male)		
	singel/Master/Slave	none/Slave/Y-Axis
Tara	Pin 1 WH	Pin 3 BU
Scale	Pin 2 BN	Pin 4 BK



Ordernumber Add-On:
MBxxx-x-U1-x

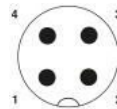
Analog Output 4..20mA (I1)*

Electrical Data I1		
Output @ 0kN	mA	4
Output @ F.S.	mA	20
Supply Voltage	V	24
Current Consumption	mA	45 (@ 24V)
Bandwidth	kHz	1

Wiringcode: WC515			
integrated Amplifier GSV			
Cabeling: 10m 3x2x0,25 PVC			
Master		Slave	
Supply (+)	brown	Supply (+)	yellow
Ground (-)	white	Ground (-)	grey
Output	green	Output	pink

Configuration connector

Wiringcode: WC527		
Integreted Amplifier: GSV-13		
Connectortype: M5 (male)		
	singel/Master/Slave	none/Slave/Y-Axis
Tara	Pin 1 WH	Pin 3 BU
Scale	Pin 2 BN	Pin 4 BK



Ordernumber Add-On:
MBxxx-x-I1-x

Attention: Nipple orientation of connector is not fixed. In case of 90° connector - it is necessary to set by customer.

*Attention: With this output configuration is no negative signal (Tension) possible. Please ask our engineering for 4..12..20mA; 1..5..9V or ±10V versions.

Batarow
Made in Germany

Batarow Sensorik GmbH
Gewerbegebiet 4
18276 Lüssow OT Karow

Mail: info@batarow.com
Phone: +49 (0) 3843-855555
Fax : +49 (0) 3843-855556

Internet:
www.batarow.com