

# MB1598

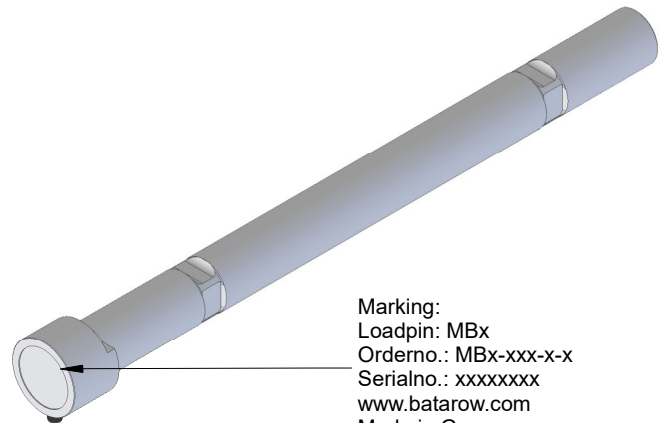
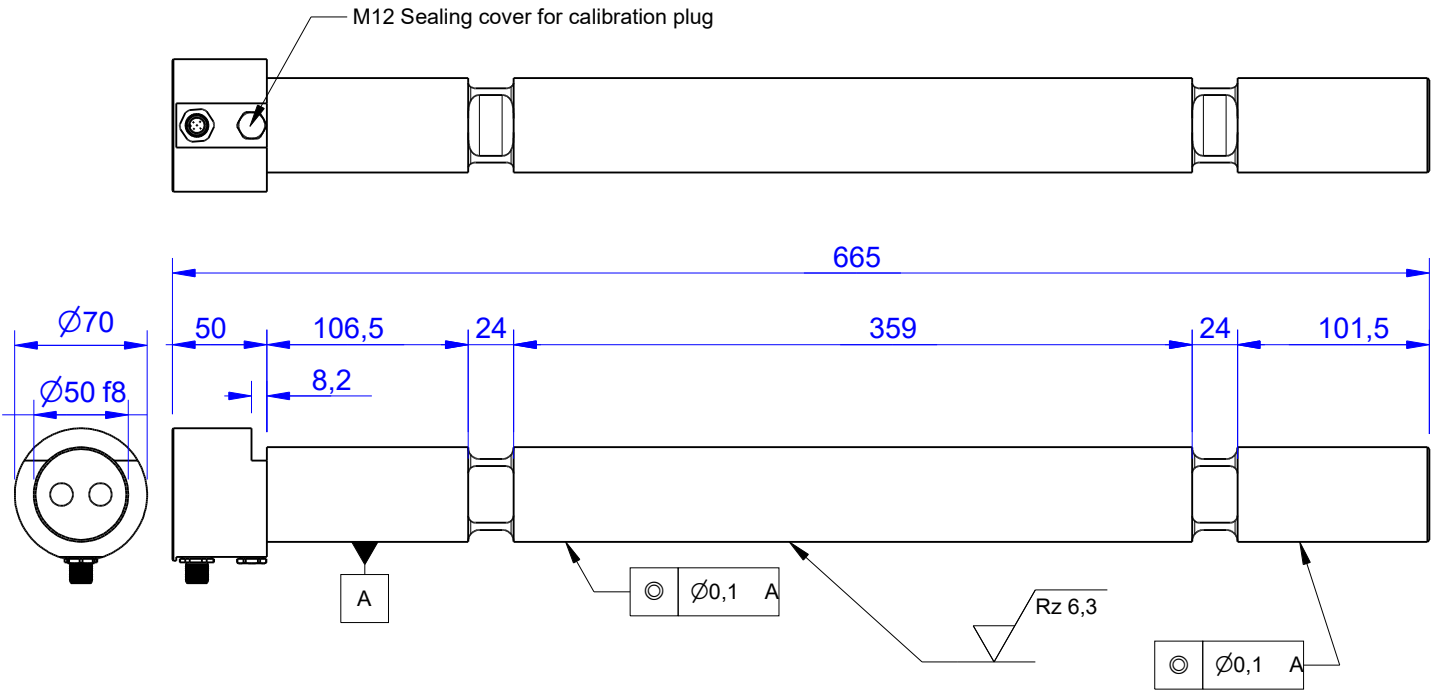
Redundant Load Pin

## Content of Loadpin Datasheet

Page 1 ... General

Page 2 ... Mounting Situation

Page 3 ... Output Signal & Wiring



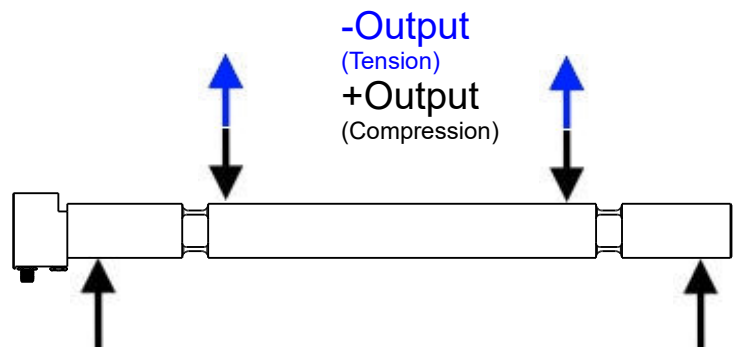
Marking:  
 Loadpin: MBx  
 Orderno.: MBx-xxx-x-x  
 Serialno.: xxxxxxxx  
 www.batarow.com  
 Made in Germany

Ordernumber	Capacity [kN] (F.S.)	Uncertainty [kN] (k=2)	Review
MB1598-5-x-B	5	± 0,03	B
MB1598-10-x-B	10	± 0,05	B
MB1598-20-x-B*	20	± 0,10	B
MB1598-50-x-B	50	± 0,25	B
MB1598-100-x-B	100	± 0,50	B

\* above showed version  
 fixed dimensions don't change at other capacity

### Specifications:

Dimension / Material		Stainless Steel
Material		Stainless Steel
Protection class		IP 66
Hardness (load area)	HRC	40..45
<b>Mechanical Data</b>		
Safe Load Limit	% of F.S.	150
Breaking Load	% of F.S.	300
<b>Precision</b>		
Nonlinearity	% of F.S.	±0,5
Nonrepeatability	% of F.S.	±0,25
Hysteresis	% of F.S.	±0,2
Temp. Shift Zero	% of F.S./K.	±0,05
Temp. Shift Span	% of F.S./K.	±0,05
<b>Temperature</b>		
Compensated Temp.	°C	-10...+60
Operating Temp.	°C	-20...+70



**Batarow**  
 Made in Germany

Batarow Sensorik GmbH  
 Gewerbegebiet 4  
 18276 Lüssow OT Karow

Mail: info@batarow.com  
 Phone: +49 (0) 3843-855555  
 Fax : +49 (0) 3843-855556

**Internet:**  
 www.batarow.com

# Mounting Situation

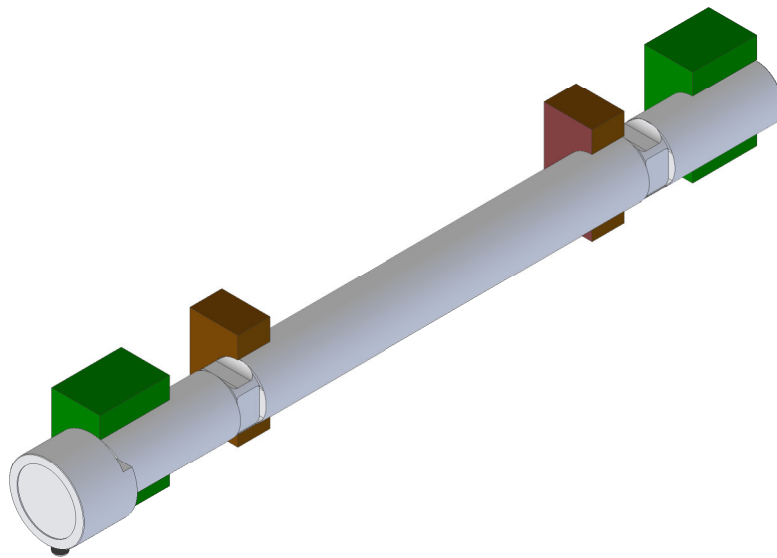
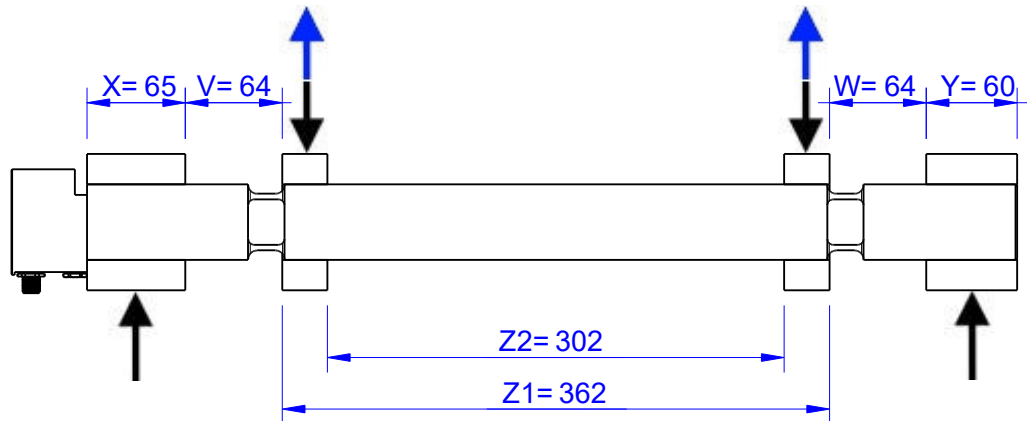
MB1598 Review: B

Bore fit of mounting situation: H7

## Configuration

possible mounting situation / customer mounting could vary

(Please describe mounting situation with Vs, Ws, Xs, Ys and Zs for best possible calibration)



**Batarow**  
Made in Germany

Batarow Sensorik GmbH  
Gewerbegebiet 4  
18276 Lüssow OT Karow

Mail: [info@batarow.com](mailto:info@batarow.com)  
Phone: +49 (0) 3843-855555  
Fax : +49 (0) 3843-855556

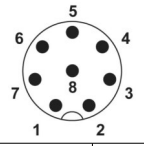
Internet:  
[www.batarow.com](http://www.batarow.com)

# Output Signal & Wiring

MB1598 Review: B

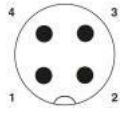
## Analog & Switch Output 0V..10V (U20)\*

Electrical Data U20		
Output @ 0kN	V	0
Output @ F.S.	V	10
Supply Voltage	V	9..28
Current Consumption	mA	15 (@ 24V)
Bandwidth	Hz	2000
Switching Output		Open Collector
max. Switching current	mA	100

Wiringcode: WC531			
Integreted Amplifier: 2xGSV-6			
Connectortype: M12 (male)			
Supply 24V (+)	Pin 1	SW 1 **	Pin 5
Ground (-)	Pin 3	SW 1 **	Pin 6
Output 1	Pin 2	SW 2 **	Pin 7
Output 2	Pin 4	SW 2 **	Pin 8

(\*\* SW 1 and SW 2 as NC contacts)

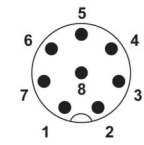
## Configuration connector

Wiringcode: WC527			
Integreted Amplifier: GSV-6			
Connectortype: M5 (male)			
	singel/Master/Slave	none/Slave/Y-Axis	
Tara	Pin 1 WH	Pin 3 BU	
Scale	Pin 2 BN	Pin 4 BK	

Ordernumber Add-On:  
MBxxx-x-U20-x

## Analog & Switch Output 4..20mA (I20)\*

Electrical Data I20		
Output @ 0kN	mA	4
Output @ F.S.	mA	20
Supply Voltage	V	9..28
Current Consumption	mA	35 (@ 24V)
Bandwidth	Hz	2000
Switching Output		Open Collector
max. Switching current	mA	100

Wiringcode: WC531			
Integreted Amplifier: 2xGSV-6			
Connectortype: M12 (male)			
Supply 24V (+)	Pin 1	SW 1 **	Pin 5
Ground (-)	Pin 3	SW 1 **	Pin 6
Output 1	Pin 2	SW 2 **	Pin 7
Output 2	Pin 4	SW 2 **	Pin 8

(\*\* SW 1 and SW 2 as NC contacts)

## Configuration connector

Wiringcode: WC527			
Integreted Amplifier: GSV-6			
Connectortype: M5 (male)			
	singel/Master/Slave	none/Slave/Y-Axis	
Tara	Pin 1 WH	Pin 3 BU	
Scale	Pin 2 BN	Pin 4 BK	

Ordernumber Add-On:  
MBxxx-x-I20-x

Attention: Nipple orientation of connector is not fixed. In case of 90° connector - it is necessary to set by customer.

\*Attention: With this output configuration is no negative signal (Tension) possible. Please ask our engineering for 4..12..20mA; 1..5..9V or ±10V versions.

**Batarow**  
Made in Germany

Batarow Sensorik GmbH  
Gewerbegebiet 4  
18276 Lüssow OT Karow

Mail: [info@batarow.com](mailto:info@batarow.com)  
Phone: +49 (0) 3843-855555  
Fax : +49 (0) 3843-855556

Internet:  
[www.batarow.com](http://www.batarow.com)