

MB1589

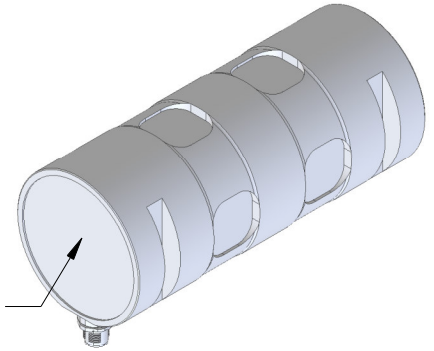
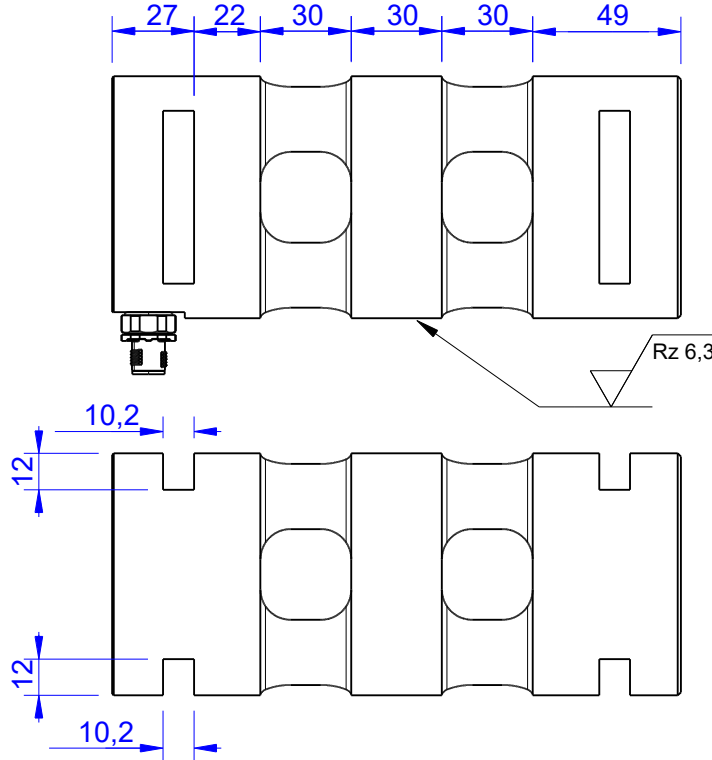
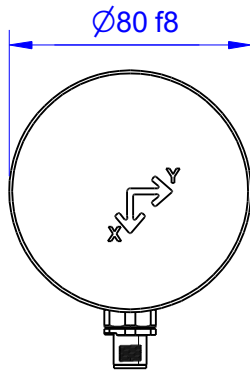
X-Y-axis Load Pin

Content of Loadpin Datasheet

Page 1 ... General

Page 2 ... Mounting Situation

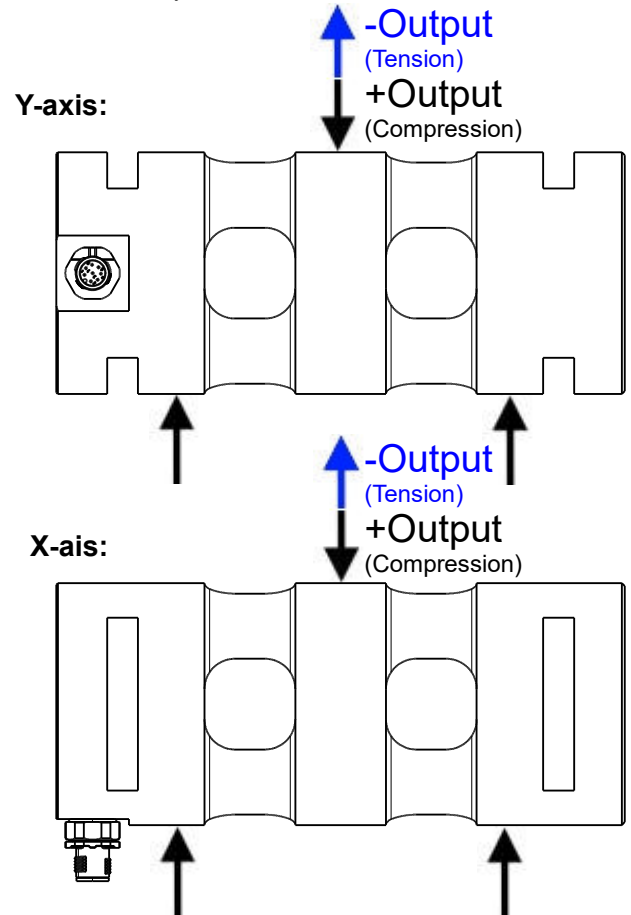
Page 3 ... Output Signal & Wiring



Marking:
 Loadpin: MBx
 Orderno.: MBx-xxx-x-x
 Serialno.: xxxxxxxx
 www.batarow.com
 Made in Germany

| Ordernumber | Capacity [kN] (F.S.) | Uncertainty [kN] (k=2) | Review |
|-----------------|-------------------------|---------------------------|--------|
| MB1589-10-x-A | 10 | ± 0,05 | A |
| MB1589-20-x-A | 20 | ± 0,10 | A |
| MB1589-120-x-A | 120 | ± 0,60 | A |
| MB1589-180-x-A* | 180 | ± 0,75 | A |
| MB1589-200-x-A | 200 | ± 1,00 | A |

* above showed version
 fixed dimensions don't change at other capacity



Specifications:

| Dimension / Material | | |
|------------------------|--------------|-----------|
| Material | | Steel |
| Protection class | | IP 66 |
| Hardness (load area) | HRC | 40..45 |
| Mechanical Data | | |
| Safe Load Limit | % of F.S. | 150 |
| Breaking Load | % of F.S. | 500 |
| Precision | | |
| Nonlinearity | % of F.S. | ±0,5 |
| Nonrepeatability | % of F.S. | ±0,25 |
| Hysteresis | % of F.S. | ±0,2 |
| Temp. Shift Zero | % of F.S./K. | ±0,05 |
| Temp. Shift Span | % of F.S./K. | ±0,05 |
| Temperature | | |
| Compensated Temp. | °C | -10...+60 |
| Operating Temp. | °C | -20...+70 |

Batarow
 Made in Germany

Batarow Sensorik GmbH
 Gewerbegebiet 4
 18276 Lüssow OT Karow

Mail: info@batarow.com
 Phone: +49 (0) 3843-855555
 Fax : +49 (0) 3843-855556

Internet:
 www.batarow.com

Mounting Situation

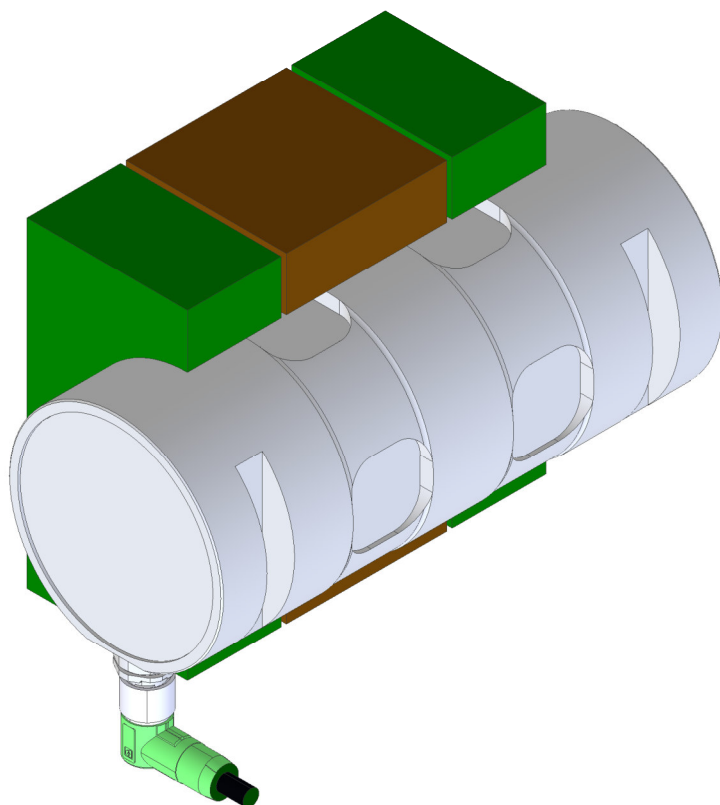
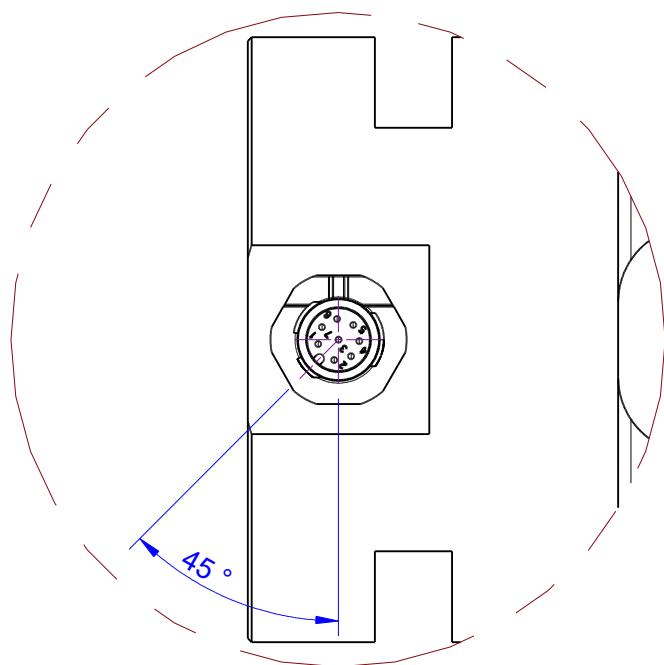
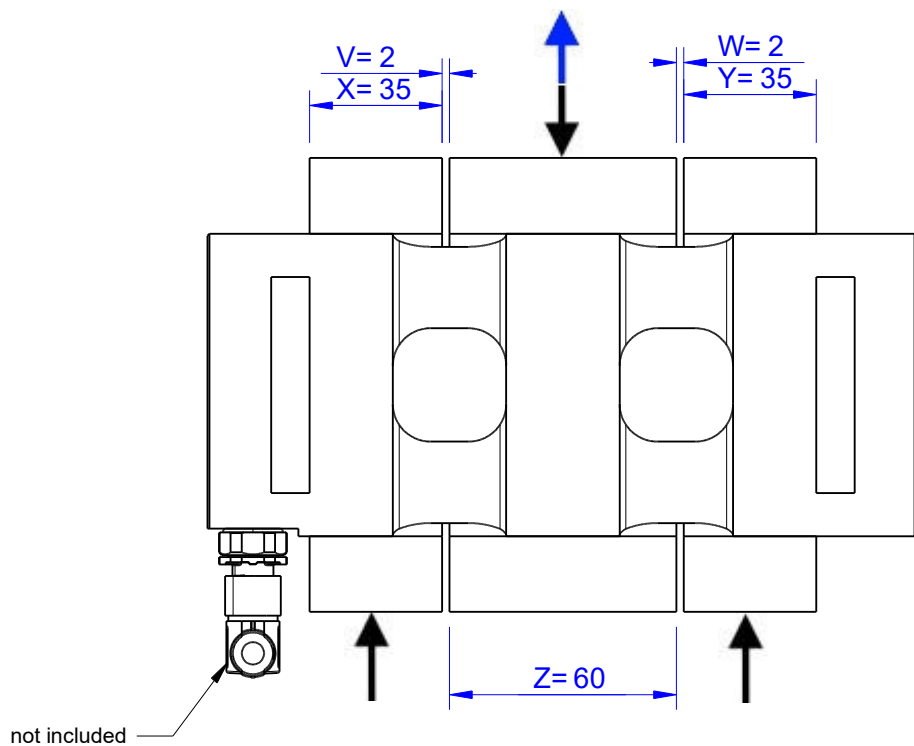
MB1589 Review: A

Bore fit of mounting situation: H7

Configuration

possible mounting situation / customer mounting could vary

(Please describe mounting situation with Vs, Ws, Xs, Ys and Zs for best possible calibration)



Batarow
Made in Germany

Batarow Sensorik GmbH
Gewerbegebiet 4
18276 Lüssow OT Karow

Mail: info@batarow.com
Phone: +49 (0) 3843-855555
Fax : +49 (0) 3843-855556


Internet:
www.batarow.com

Output Signal & Wiring

MB1589 Review: A

Analog Output mV/V (S1)

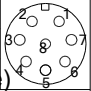
| Electrical Data | | |
|-----------------------|-----------|---------|
| Rated Output | mV/V@F.S. | 1 |
| Zero Balance | mV/V | ±0,05 |
| Excitation (Maximum) | Volt | 10 |
| Input Resistance | Ohm | 450±100 |
| Output Resistance | Ohm | 352±2 |
| Insulating Resistance | GOhm | >5 |

| | | | | |
|--|----------------|----------|--------------|---|
| Wiringcode: WC56 | | | |  |
| Cabeling: M12 Male Socket / Flanschdose (male) | | | | |
| +Us (Fx) | Pin 2 / brown | +Us (Fy) | Pin 6 / pink | |
| -Us (Fx) | Pin 1 / white | -Us (Fy) | Pin 5 / grey | |
| +Ud (Fx) | Pin 3 / green | +Ud (Fy) | Pin 7 / blue | |
| -Ud (Fx) | Pin 4 / yellow | -Ud (Fy) | Pin 8 / red | |

Ordernumber Add-On:
MBxxx-x-S1-x

Analog Output 0V..10V (U1)*

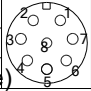
| Electrical Data U1 | | |
|---------------------|-----|------------|
| Output @ 0kN | V | 0 |
| Output @ F.S. | V | 10 |
| Supply Voltage | V | 14..28 |
| Current Consumption | mA | 25 (@ 24V) |
| Bandwidth | kHz | 1 |

| | | | | |
|---|-------|---------------|-------|---|
| Wiringcode: WC510 | | | |  |
| Integrated Amplifier: GSV | | | | |
| Cabeling: M12 Male Socket / Flanschstecker (male) | | | | |
| Supply(+) | Pin 1 | Output X-Axis | Pin 4 | |
| Ground(-) | Pin 3 | Output Y-Axis | Pin 6 | |
| Tare X | Pin 2 | Tare Y | Pin 7 | |
| Scale X | Pin 5 | Scale Y | Pin 8 | |

Ordernumber Add-On:
MBxxx-x-U1-x

Analog Output 4..20mA (I1)*

| Electrical Data I1 | | |
|---------------------|-----|------------|
| Output @ 0kN | mA | 4 |
| Output @ F.S. | mA | 20 |
| Supply Voltage | V | 14..28 |
| Current Consumption | mA | 45 (@ 24V) |
| Bandwidth | kHz | 1 |

| | | | | |
|---|-------|---------------|-------|---|
| Wiringcode: WC510 | | | |  |
| Integrated Amplifier: GSV | | | | |
| Cabeling: M12 Male Socket / Flanschstecker (male) | | | | |
| Supply(+) | Pin 1 | Output X-Axis | Pin 4 | |
| Ground(-) | Pin 3 | Output Y-Axis | Pin 6 | |
| Tare X | Pin 2 | Tare Y | Pin 7 | |
| Scale X | Pin 5 | Scale Y | Pin 8 | |

Ordernumber Add-On:
MBxxx-x-I1-x

Attention: Nipple orientation of connector is not fixed. In case of 90° connector - it is necessary to set by customer.

*Attention: With this output configuration is no negative signal (Tension) possible. Please ask our engineering for 4..12..20mA; 1..5..9V or ±10V versions.

Batarow
Made in Germany

Batarow Sensorik GmbH
Gewerbegebiet 4
18276 Lüssow OT Karow

Mail: info@batarow.com
Phone: +49 (0) 3843-855555
Fax : +49 (0) 3843-855556

Internet:
www.batarow.com