

# MB1534

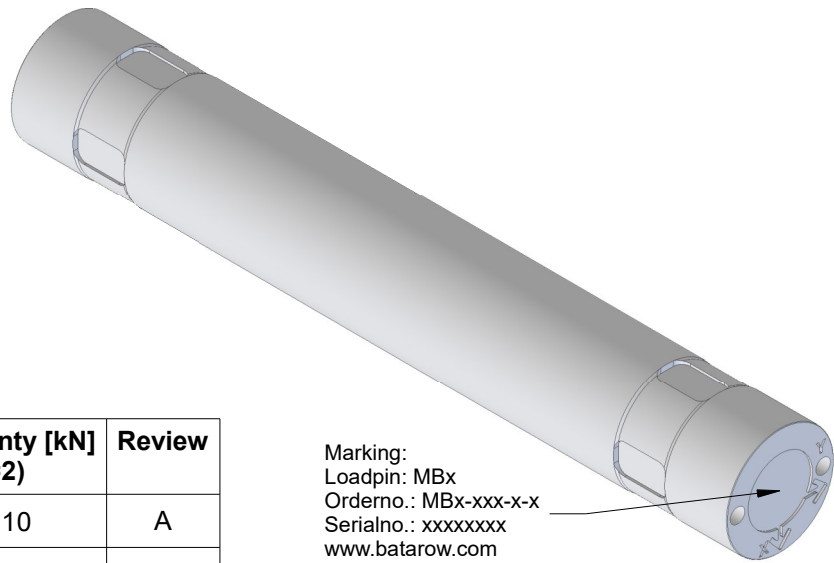
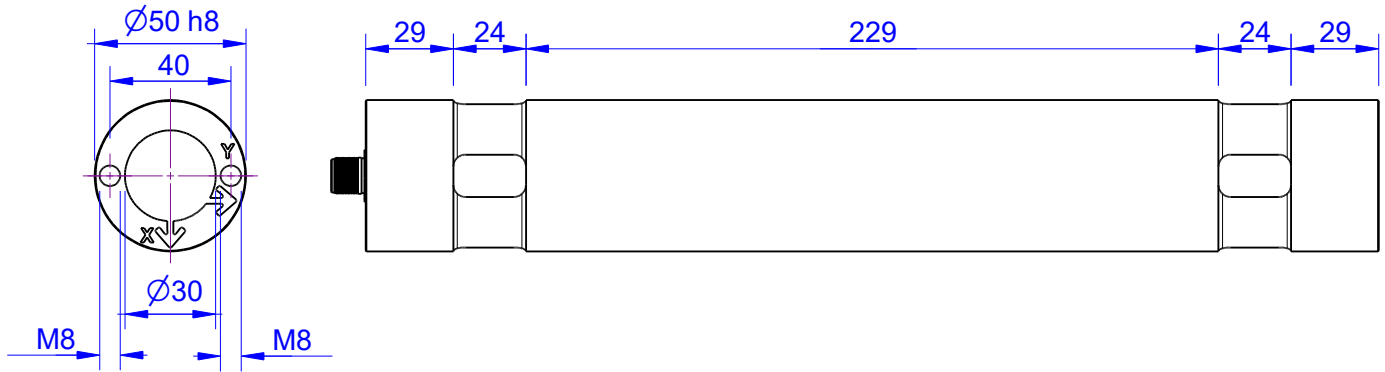
X-Y Axis Load Pin

## Content of Loadpin Datasheet

Page 1 ... General

Page 2 ... Mounting Situation

Page 3 ... Output Signal & Wiring



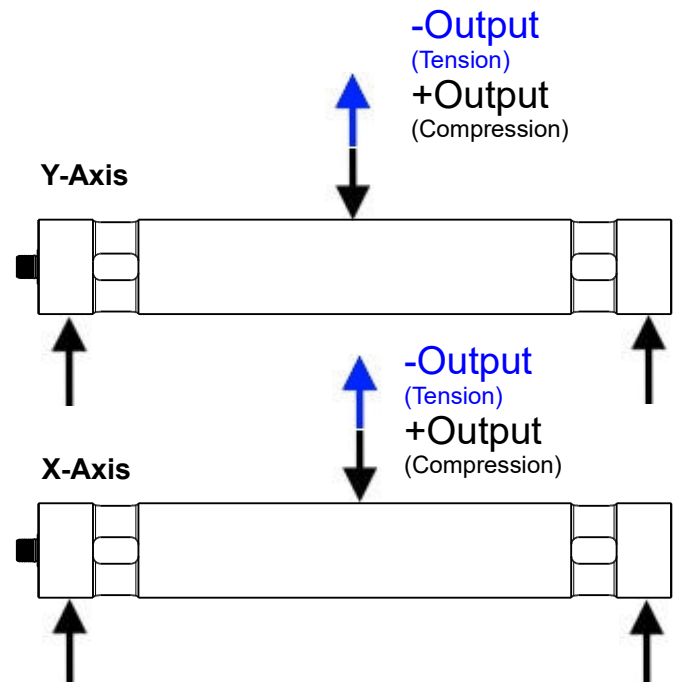
Marking:  
Loadpin: MBx  
Orderno.: MBx-xxx-x-x  
Serialno.: xxxxxxxx  
www.batarow.com  
Made in Germany

Ordernumber	Capacity [kN] (F.S.)	Uncertainty [kN] (k=2)	Review
MB1534-20-x-A	20	± 0,10	A
MB1534-32-x-A*	32	± 0,16	A
MB1534-50-x-A	50	± 0,25	A
MB1534-100-x-A	100	± 0,50	A
MB1534-150-x-A	150	± 0,75	A

\* above showed version  
fixed dimensions don't change at other capacity

### Specifications:

Dimension / Material		
Material		Stainless Steel
Protection class		IP 66
Hardness (load area)	HRC	40..45
<b>Mechanical Data</b>		
Safe Load Limit	% of F.S.	150
Breaking Load	% of F.S.	300
<b>Precision</b>		
Nonlinearity	% of F.S.	±0,5
Nonrepeatability	% of F.S.	±0,25
Hysteresis	% of F.S.	±0,2
Temp. Shift Zero	% of F.S./K.	±0,05
Temp. Shift Span	% of F.S./K.	±0,05
<b>Temperature</b>		
Compensated Temp.	°C	-10...+60
Operating Temp.	°C	-20...+70



**Batarow**  
Made in Germany

Batarow Sensorik GmbH  
Gewerbegebiet 4  
18276 Lüssow OT Karow

Mail: info@batarow.com  
Phone: +49 (0) 3843-855555  
Fax : +49 (0) 3843-855556

Internet:  
www.batarow.com

# Mounting Situation

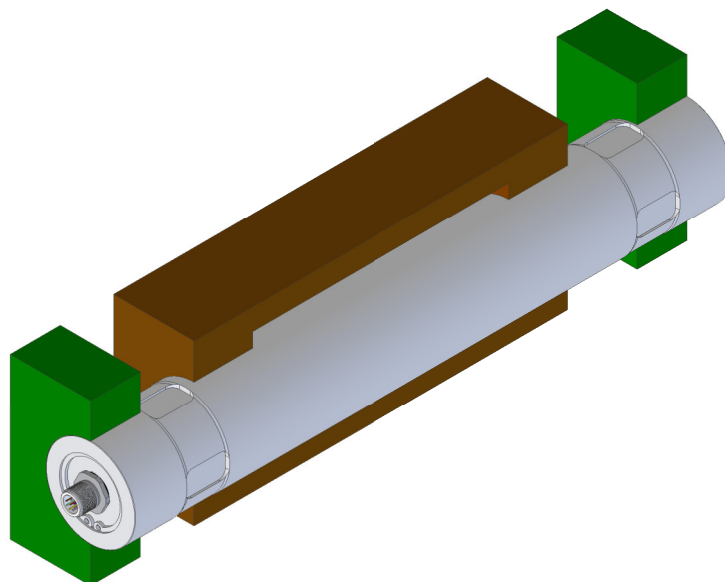
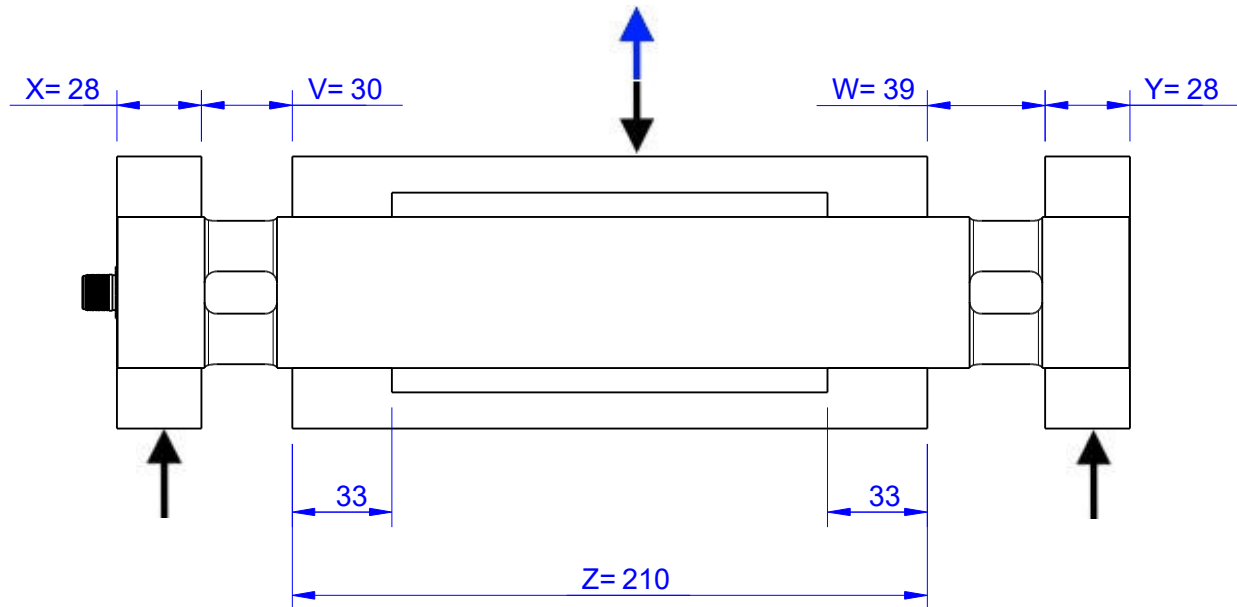
MB1534 Review: A

Bore fit of mounting situation: H7

## Configuration

possible mounting situation / customer mounting could vary

(Please describe mounting situation with Vs, Ws, Xs, Ys and Zs for best possible calibration)



**Batarow**  
Made in Germany

Batarow Sensorik GmbH  
Gewerbegebiet 4  
18276 Lüssow OT Karow

Mail: [info@batarow.com](mailto:info@batarow.com)  
Phone: +49 (0) 3843-855555  
Fax : +49 (0) 3843-855556

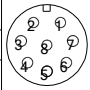
Internet:  
[www.batarow.com](http://www.batarow.com)

# Output Signal & Wiring

MB1534 Review: A

## Analog Output mV/V (S1)

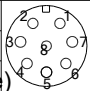
Electrical Data		
Rated Output	mV/V@F.S.	1
Zero Balance	mV/V	±0,05
Excitation (Maximum)	Volt	10
Input Resistance	Ohm	450±100
Output Resistance	Ohm	352±2
Insulating Resistance	GOhm	>5

Wiringcode: WC56				
Cabeling: M12 Male Socket / Flanschdose (male)				
+Us (Fx)	Pin 2 / brown	+Us (Fy)	Pin 6 / pink	
-Us (Fx)	Pin 1 / white	-Us (Fy)	Pin 5 / grey	
+Ud (Fx)	Pin 3 / green	+Ud (Fy)	Pin 7 / blue	
-Ud (Fx)	Pin 4 / yellow	-Ud (Fy)	Pin 8 / red	

Ordernumber Add-On:  
MBxxx-x-S1-x

## Analog Output 1V..10V (U4)\*

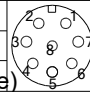
Electrical Data U4		
Output @ -F.S.	V	0
Output @ 0kN	V	5
Output @ +F.S.	V	10
Supply Voltage	V	14...24
Current Consumption	mA	25 (@ 24V)
Bandwidth	kHz	1

Wiringcode: WC510				
Integrated Amplifier: GSV				
Cabeling: M12 Male Socket / Flanschstecker (male)				
Supply(+)	Pin 1	Output X-Axis	Pin 4	
Ground(-)	Pin 3	Output Y-Axis	Pin 6	
Tare X	Pin 2	Tare Y	Pin 7	
Scale X	Pin 5	Scale Y	Pin 8	

Ordernumber Add-On:  
MBxxx-x-U1-x

## Analog Output 4..20mA (I4)\*

Electrical Data I4		
Output @ -F.S.	mA	4
Output @ 0kN	mA	12
Output @ +F.S.	mA	20
Supply Voltage	V	12±1
Current Consumption	mA	45 (@ 12V)
Bandwidth	kHz	1

Wiringcode: WC510				
Integrated Amplifier: GSV				
Cabeling: M12 Male Socket / Flanschstecker (male)				
Supply(+)	Pin 1	Output X-Axis	Pin 4	
Ground(-)	Pin 3	Output Y-Axis	Pin 6	
Tare X	Pin 2	Tare Y	Pin 7	
Scale X	Pin 5	Scale Y	Pin 8	

Ordernumber Add-On:  
MBxxx-x-I1-x

Attention: Nipple orientation of connector is not fixed. In case of 90° connector - it is necessary to set by customer.

\*Attention: With this output configuration is no negative signal (Tension) possible. Please ask our engineering for 4..12..20mA; 1..5..9V or ±10V versions.

**Batarow**  
Made in Germany

Batarow Sensorik GmbH  
Gewerbegebiet 4  
18276 Lüssow OT Karow

Mail: [info@batarow.com](mailto:info@batarow.com)  
Phone: +49 (0) 3843-855555  
Fax : +49 (0) 3843-855556

**Internet:**  
[www.batarow.com](http://www.batarow.com)