

MB1524

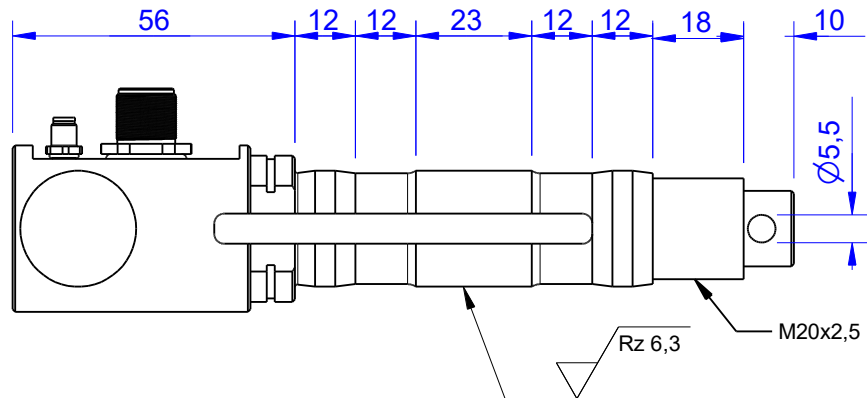
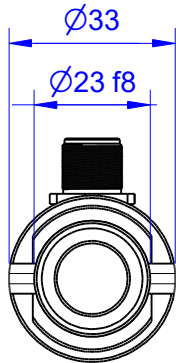
Redundant Load Pin

Content of Loadpin Datasheet

Page 1 ... General

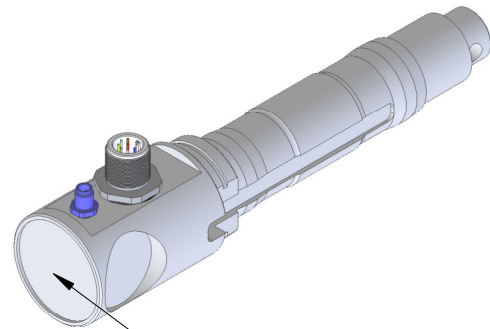
Page 2 ... Mounting Situation

Page 3 ... Output Signal & Wiring



Order-number	Capacity (F.S.)	Uncertainty (k=2)	Review
MB1524-5-x-A	5 kN	±0,025 kN	A
MB1524-10-x-A	10 kN	±0,050 kN	A
MB1524-20-x-A	20 kN	±0,100 kN	A
MB1524-25-x-A	25 kN	±0,125 kN	A
MB1524-30-x-A*	30 kN	±0,150 kN	A

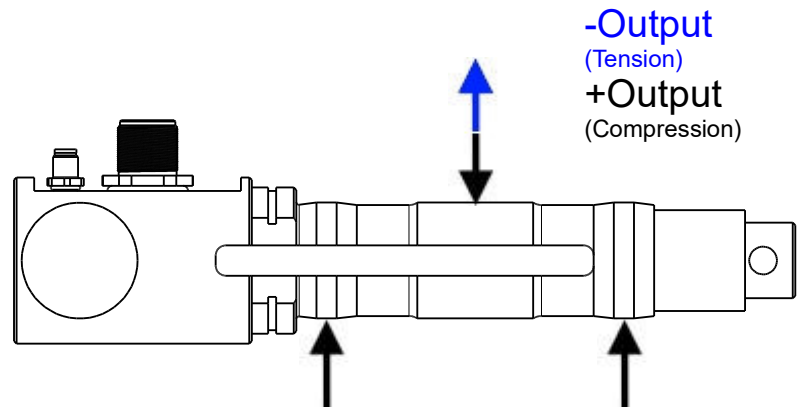
* above showed version
The fixed dimensions don't change at the other capacity.



Marking:
Loadpin: MBx
Orderno.: MBx-xxx-x-x
Serialno.: xxxxxxxx
www.batarow.com
Made in Germany

Specifications:

Dimension / Material		Stainless Steel
Material		Stainless Steel
Protection class		IP 66
Hardness (load area)	HRC	40..45
Mechanical Data		
Safe Load Limit	% of F.S.	150
Breaking Load	% of F.S.	300
Precision		
Nonlinearity	% of F.S.	±0,5
Nonrepeatability	% of F.S.	±0,25
Hysteresis	% of F.S.	±0,2
Temp. Shift Zero	% of F.S./K.	±0,05
Temp. Shift Span	% of F.S./K.	±0,05
Temperature		
Compensated Temp.	°C	-10...+60
Operating Temp.	°C	-20...+70



Batarow
Made in Germany

Batarow Sensorik GmbH
Gewerbegebiet 4
18276 Lüssow OT Karow

Mail: info@batarow.com
Phone: +49 (0) 3843-855555
Fax : +49 (0) 3843-855556

Internet:
www.batarow.com

Mounting Situation

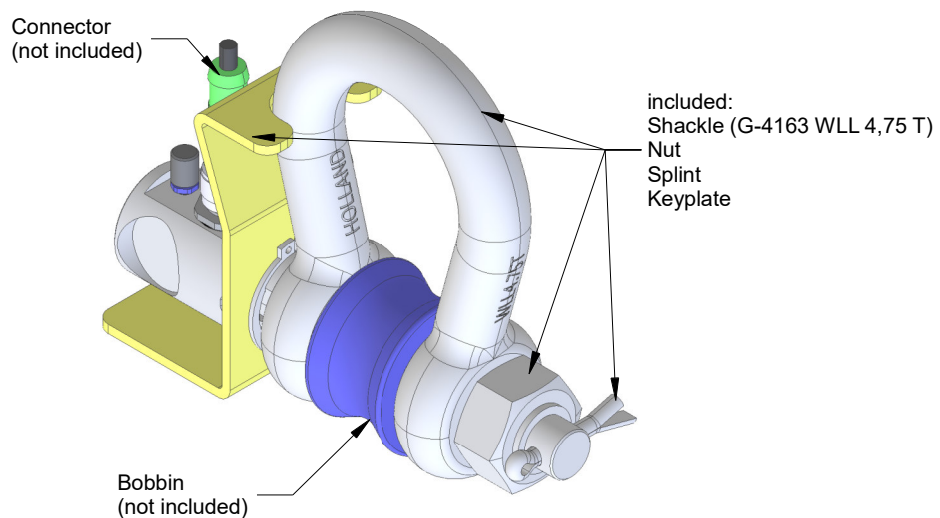
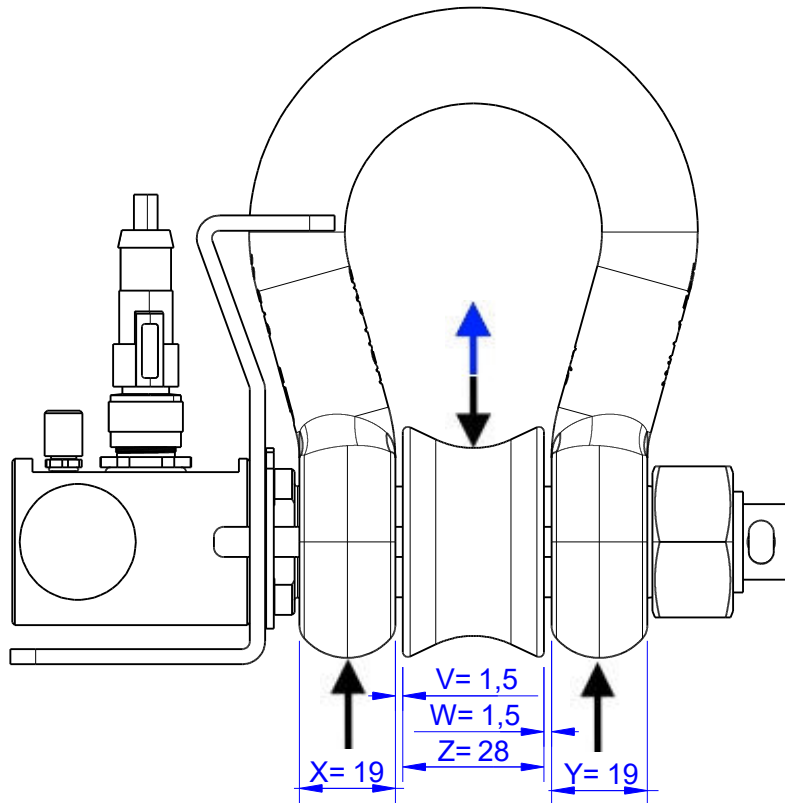
MB1524 Review: A

Bore fit of mounting situation: H7

Configuration

possible mounting situation / customer mounting could vary

(Please describe mounting situation with Vs, Ws, Xs, Ys and Zs for best possible calibration)

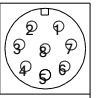


Output Signal & Wiring

MB1524 Review: A

Analog Output mV/V (S1)

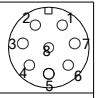
Electrical Data		
Rated Output	mV/V@F.S.	1
Zero Balance	mV/V	±0,05
Excitation (Maximum)	Volt	10
Input Resistance	Ohm	450±100
Output Resistance	Ohm	352±2
Insulating Resistance	GOhm	>5

Wiringcode: WC65 (Channel 1 & 2)				
Cabeling: M12 Male Socket / Flanschdose (male)				
+Us (1)	Pin 2 / brown	+Us (2)	Pin 6 / pink	
-Us (1)	Pin 1 / white	-Us (2)	Pin 5 / grey	
+Ud (1)	Pin 3 / green	+Ud (2)	Pin 7 / blue	
-Ud (1)	Pin 4 / yellow	-Ud (2)	Pin 8 / red	

Ordernumber Add-On:
MBxxx-x-S1-x

Analog Output 1V..10V (U1)*

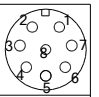
Electrical Data U1		
Output @ 0kN	V	1
Output @ F.S.	V	10
Supply Voltage	V	14..28
Current Consumption	mA	25 (@ 24V)
Bandwidth	kHz	1

Wiringcode: W505				
Integrated Amplifier: GSV				
Cabeling: M12 Male Socket / Flanschdose (male)				
	Master	Slave		
Supply(+)	Pin 1	Pin 6		
Ground (-)	Pin 3	Pin 7		
Output	Pin 4	Pin 8		

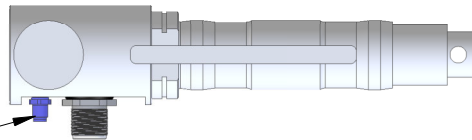
Ordernumber Add-On:
MBxxx-x-U1-x

Analog Output 4..20mA (I1)*

Electrical Data I1		
Output @ 0kN	mA	4
Output @ F.S.	mA	20
Supply Voltage	V	14..28
Current Consumption	mA	45 (@ 24V)
Bandwidth	kHz	1

Wiringcode: W505				
Integrated Amplifier: GSV				
Cabeling: M12 Male Socket / Flanschdose (male)				
	Master	Slave		
Supply(+)	Pin 1	Pin 6		
Ground (-)	Pin 3	Pin 7		
Output	Pin 4	Pin 8		

Ordernumber Add-On:
MBxxx-x-I1-x



Configuration Port:

Wiringcode: WC527		
Integrated Amplifier: GSV-13i		
	singel/Master/Slave	none/Slave/Y-Axis
Tara	Pin 1 WH	Pin 3 BU
Scale	Pin 2 BN	Pin 4 BK

Attention: Nipple orientation of connector is not fixed. In case of 90° connector - it is necessary to set by customer.

*Attention: With this output configuration is no negative signal (Tension) possible. Please ask our engineering for 4..12..20mA; 1..5..9V or ±10V versions.

Batarow
Made in Germany

Batarow Sensorik GmbH
Gewerbegebiet 4
18276 Lüssow OT Karow

Mail: info@batarow.com
Phone: +49 (0) 3843-855555
Fax : +49 (0) 3843-855556

Internet:
www.batarow.com