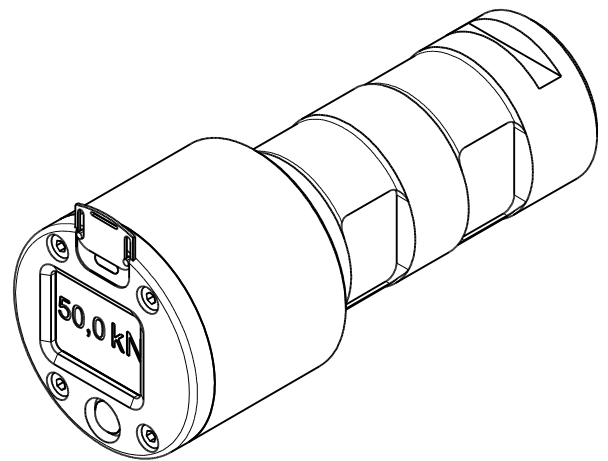
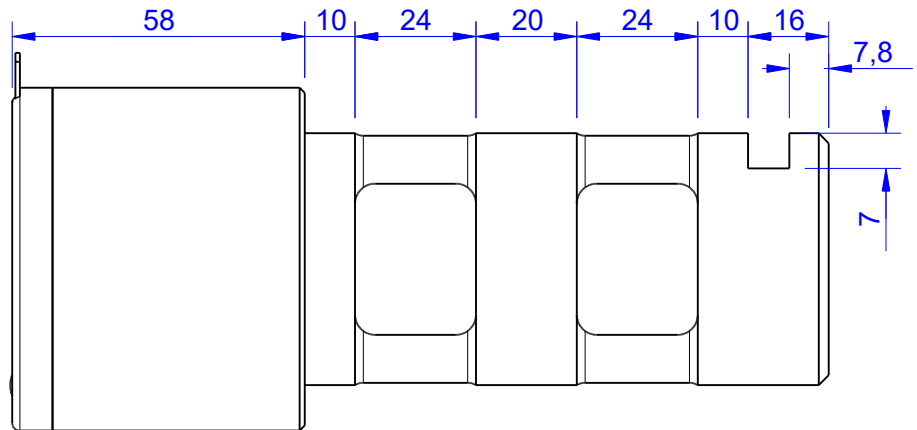
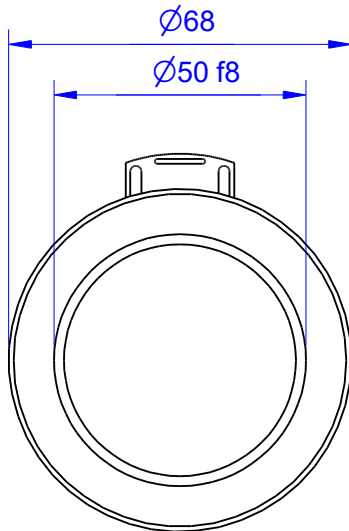


# MB1509

Load Pin

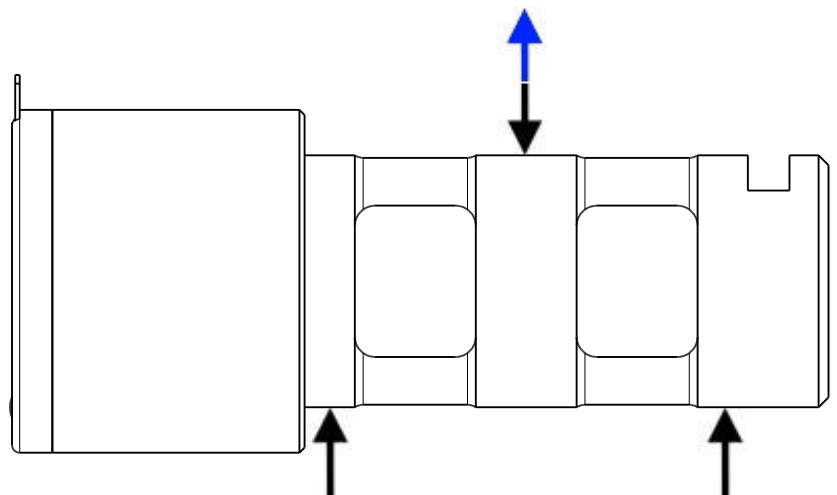


Order-number	Capacity (F.S.)	Uncertainty (k=2)	Review
MB1509-5-x-A	5 kN	±0,025 kN	A
MB1509-10-x-A	10 kN	±0,050 kN	A
MB1509-20-x-A	20 kN	±0,100 kN	A
MB1509-50-x-A*	50 kN	±0,250 kN	A
MB1509-100-x-A	100 kN	±0,500 kN	A

\* above showed version  
The fixed dimensions don't change at the other capacity.

## Specifications:

<b>Dimension / Material</b>		
Material		Stainless Steel
Protection class		IP 66
Hardness (load area)	HRC	40..45
<b>Mechanical Data</b>		
Safe Load Limit	% of F.S.	150
Breaking Load	% of F.S.	300
<b>Precision</b>		
Nonlinearity	% of F.S.	±0,5
Nonrepeatability	% of F.S.	±0,25
Hysteresis	% of F.S.	±0,2
Temp. Shift Zero	% of F.S./K.	±0,05
Temp. Shift Span	% of F.S./K.	±0,05
<b>Temperature</b>		
Compensated Temp.	°C	-10...+60
Operating Temp.	°C	-20...+70



**Batarow**  
Made in Germany

Batarow Sensorik GmbH  
Gewerbegebiet 4  
18276 Lüssow OT Karow

Mail: [info@batarow.com](mailto:info@batarow.com)  
Phone: +49 (0) 3843-855555  
Fax : +49 (0) 3843-855556

Internet:  
[www.batarow.com](http://www.batarow.com)

# Mounting Situation

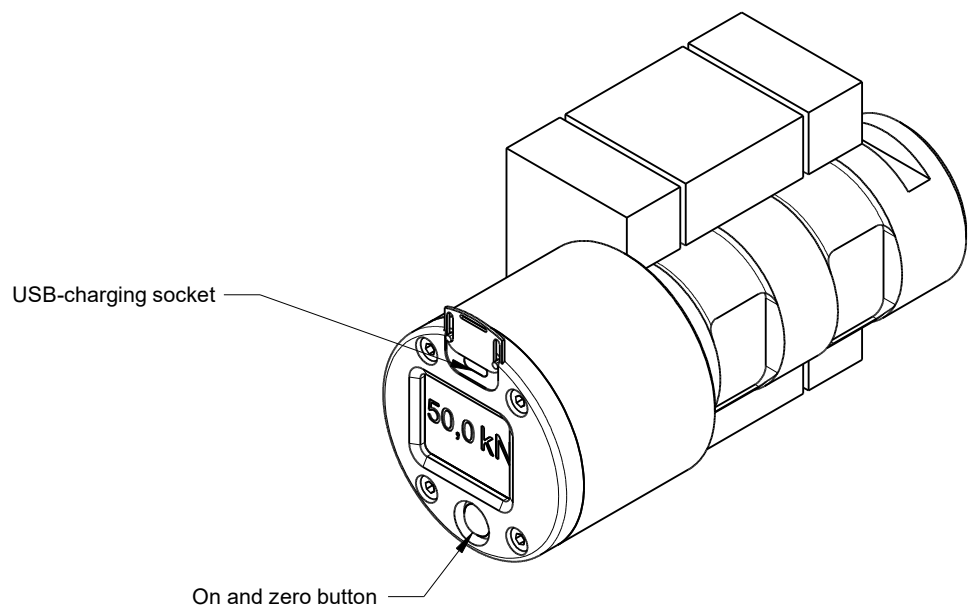
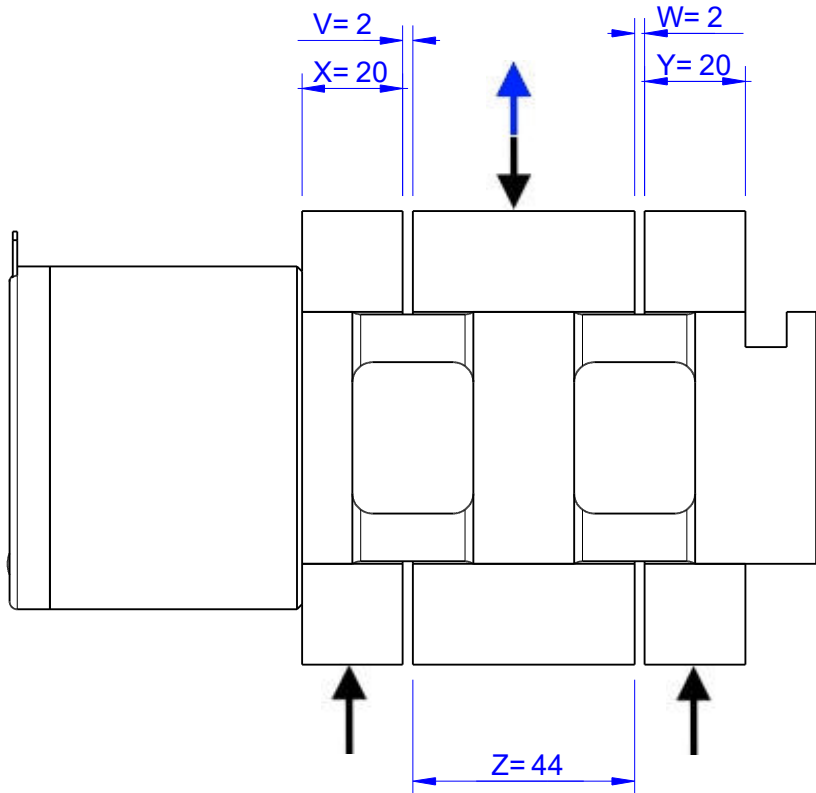
MB1509 Review: A

Bore fit of mounting situation: H7

## Configuration

possible mounting situation / customer mounting could vary

(Please describe mounting situation with Vs, Ws, Xs, Ys and Zs for best possible calibration)



**Batarow**  
Made in Germany

Batarow Sensorik GmbH  
Gewerbegebiet 4  
18276 Lüssow OT Karow

Mail: [info@batarow.com](mailto:info@batarow.com)  
Phone: +49 (0) 3843-855555  
Fax : +49 (0) 3843-855556

Internet:  
[www.batarow.com](http://www.batarow.com)