

MB1489

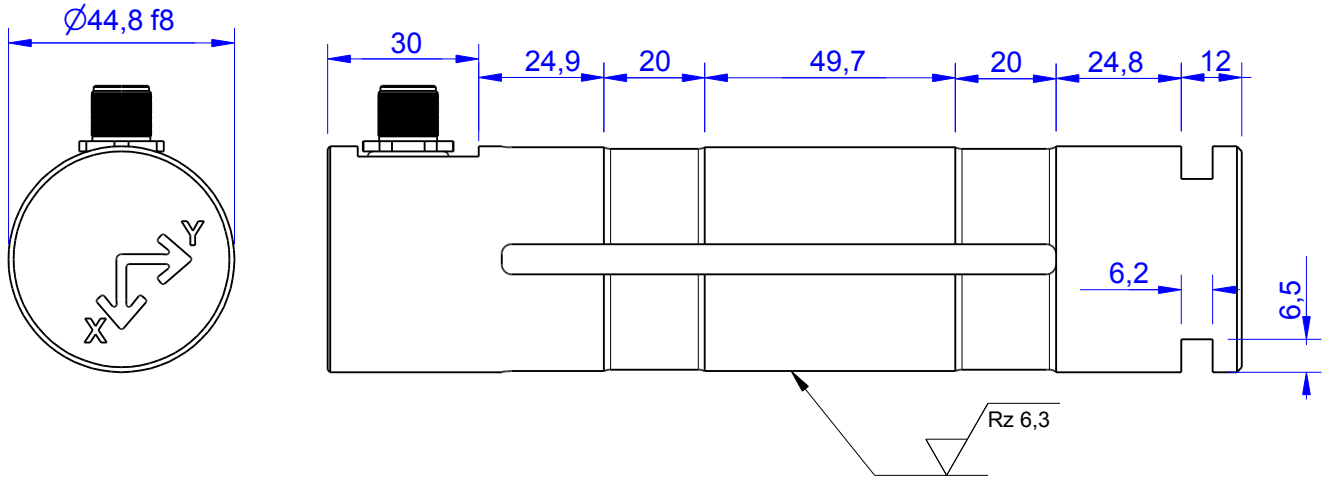
X-Y Axis Load Pin

Content of Loadpin Datasheet

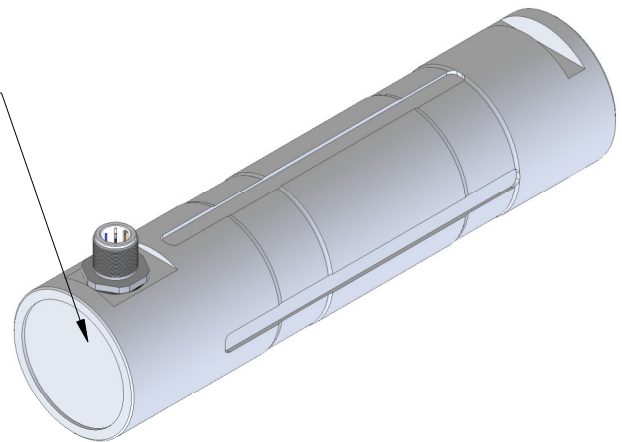
Page 1 ... General

Page 2 ... Mounting Situation

Page 3 ... Output Signal & Wiring



Marking:
 Loadpin: MBx
 Orderno.: MBx-xxx-x-x
 Serialno.: xxxxxxxx
 www.batarow.com
 Made in Germany

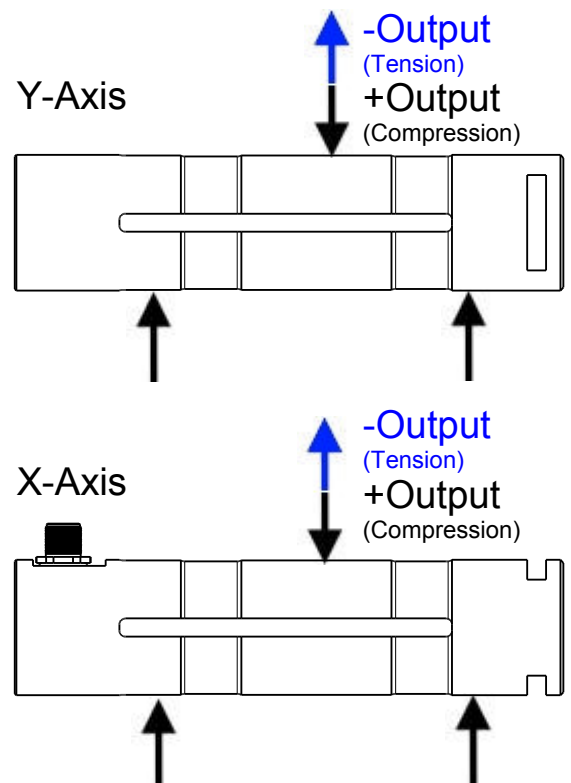


Order-number	Capacity (F.S.)	Uncertainty (k=2)	Review
MB1489-20-x-A	20 kN	$\pm 0,10 \text{ kN}$	A
MB1489-50-x-A	50 kN	$\pm 0,25 \text{ kN}$	A
MB1489-100-x-A	100 kN	$\pm 0,50 \text{ kN}$	A
MB1489-150-x-A	150 kN	$\pm 0,75 \text{ kN}$	A
MB1489-200-x-A*	200 kN	$\pm 1,00 \text{ kN}$	A

* above showed version
 The fixed dimensions don't change at the other capacity.

Specifications:

Dimension / Material		Stainless Steel
Material		Stainless Steel
Protection class		IP 66
Hardness (load area)	HRC	40..45
Mechanical Data		
Safe Load Limit	% of F.S.	120
Breaking Load	% of F.S.	240
Precision		
Nonlinearity	% of F.S.	$\pm 0,5$
Nonrepeatability	% of F.S.	$\pm 0,25$
Hysteresis	% of F.S.	$\pm 0,2$
Temp. Shift Zero	% of F.S./K.	$\pm 0,05$
Temp. Shift Span	% of F.S./K.	$\pm 0,05$
Temperature		
Compensated Temp.	$^{\circ}\text{C}$	-10...+60
Operating Temp.	$^{\circ}\text{C}$	-20...+70



Batarow
 Made in Germany

Batarow Sensorik GmbH
 Gewerbegebiet 4
 18276 Lüssow OT Karow

Mail: info@batarow.com
 Phone: +49 (0) 3843-855555
 Fax : +49 (0) 3843-855556

Internet:
www.batarow.com

Mounting Situation

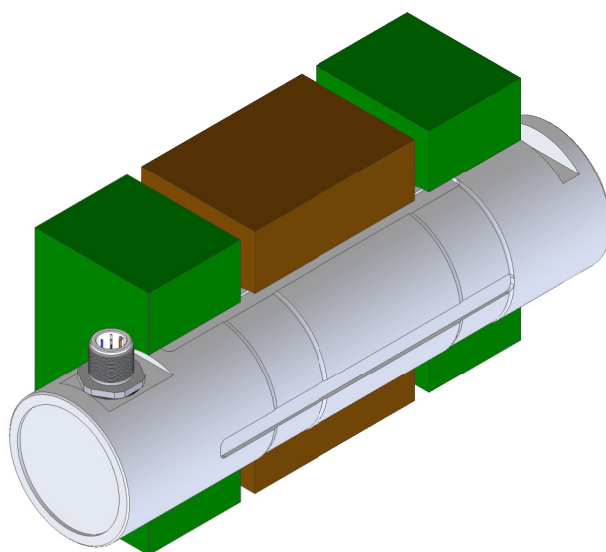
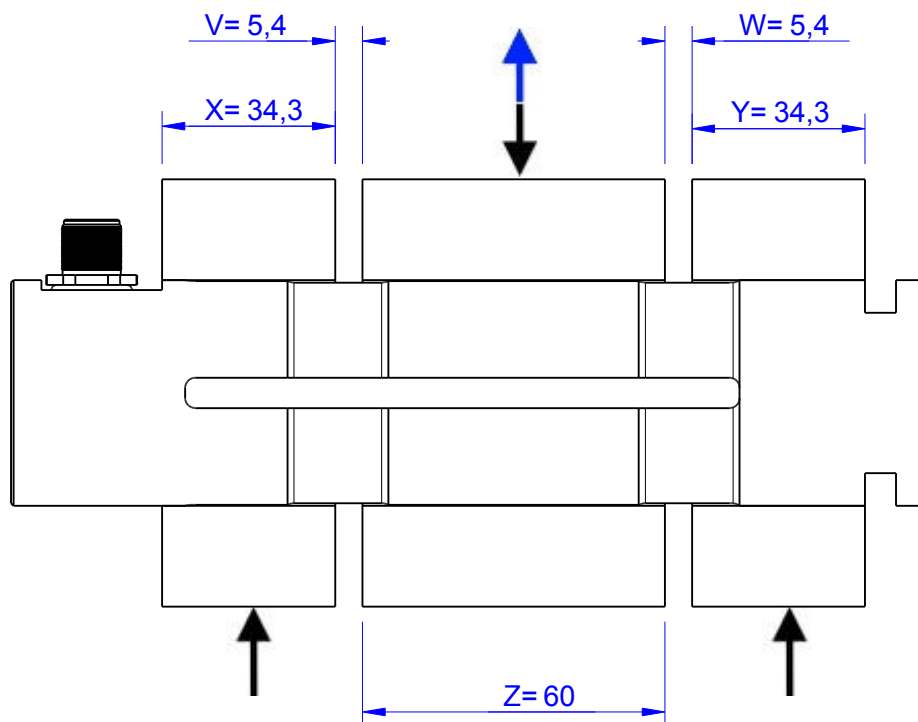
MB1489 Review: A

Bore fit of mounting situation: H7

Configuration

possible mounting situation / customer mounting could vary

(Please describe mounting situation with Vs, Ws, Xs, Ys and Zs for best possible calibration)



Batarow
Made in Germany

Batarow Sensorik GmbH
Gewerbegebiet 4
18276 Lüssow OT Karow

Mail: info@batarow.com
Phone: +49 (0) 3843-855555
Fax : +49 (0) 3843-855556


Internet:
www.batarow.com

Output Signal & Wiring

MB1489 Review: A

Analog Output mV/V (S1)

Electrical Data		
Rated Output	mV/V@F.S.	1
Zero Balance	mV/V	±0,05
Excitation (Maximum)	Volt	10
Input Resistance	Ohm	450±100
Output Resistance	Ohm	352±2
Insulating Resistance	GOhm	>5


Wiringcode: WC56				
Cabeling: M12 Male Socket / Flanschdose (male)				
+Us (Fx)	Pin 2 / brown	+Us (Fy)	Pin 6 / pink	
-Us (Fx)	Pin 1 / white	-Us (Fy)	Pin 5 / grey	
+Ud (Fx)	Pin 3 / green	+Ud (Fy)	Pin 7 / blue	
-Ud (Fx)	Pin 4 / yellow	-Ud (Fy)	Pin 8 / red	

Analog Output 1V..10V (U4)*

Electrical Data U4		
Output @ -F.S.	V	0
Output @ 0kN	V	5
Output @ +F.S.	V	10
Supply Voltage	V	14..28
Current Consumption	mA	25 (@ 24V)
Bandwidth	kHz	1

Ordernumber Add-On:

MBxxx-x-S1-x


Wiringcode: WC510				
Integrated Amplifier:GSV				
Cabeling: M12 Male Socket / Flanschstecker (male)				
Supply(+)	Pin 1	Output X-Axis	Pin 4	
Ground(-)	Pin 3	Output Y-Axis	Pin 6	
Tare X	Pin 2	Tare Y	Pin 7	
Scale X	Pin 5	Scale Y	Pin 8	

Ordernumber Add-On:

MBxxx-x-U4-x

Analog Output 4..20mA (I4)*

Electrical Data I4		
Output @ -F.S.	mA	4
Output @ 0kN	mA	12
Output @ +F.S.	mA	20
Supply Voltage	V	14..28
Current Consumption	mA	90 (@ 12V)
Bandwidth	kHz	1

Wiringcode: WC510				
Integrated Amplifier:GSV				
Cabeling: M12 Male Socket / Flanschstecker (male)				
Supply(+)	Pin 1	Output X-Axis	Pin 4	
Ground(-)	Pin 3	Output Y-Axis	Pin 6	
Tare X	Pin 2	Tare Y	Pin 7	
Scale X	Pin 5	Scale Y	Pin 8	

Ordernumber Add-On:

MBxxx-x-I4-x

Batarow
Made in Germany

Batarow Sensorik GmbH
Gewerbegebiet 4
18276 Lüssow OT Karow

Mail: info@batarow.com
Phone: +49 (0) 3843-855555
Fax : +49 (0) 3843-855556

Internet:
www.batarow.com