

MB1487

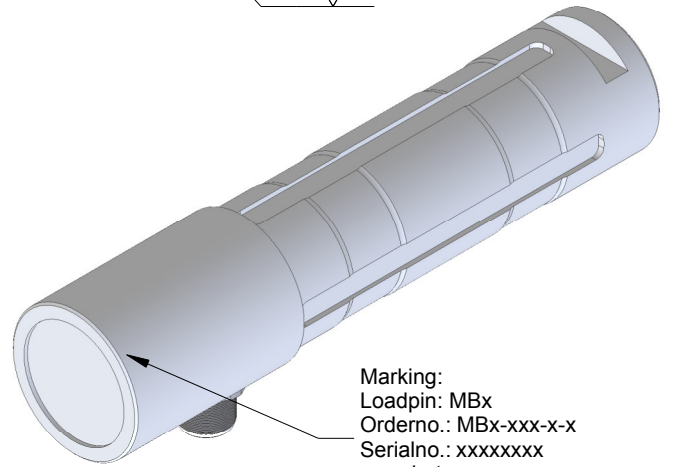
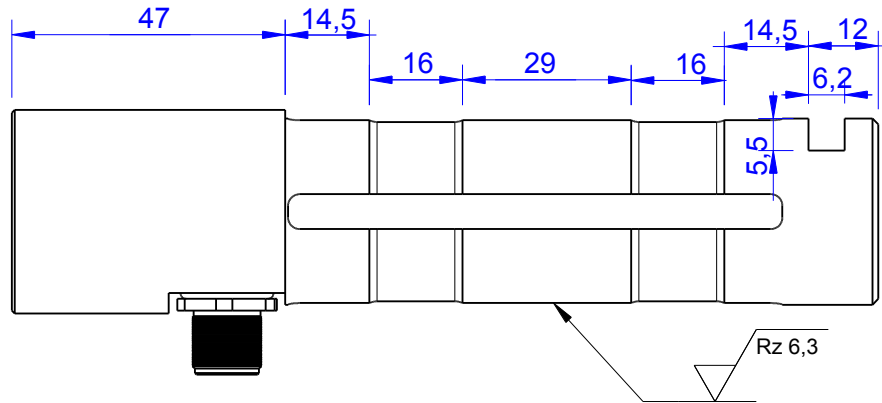
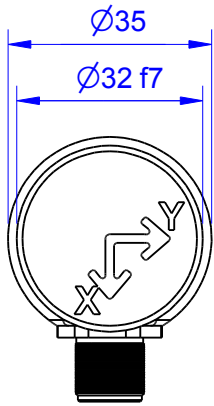
X-Y-Axis Load Pin

Content of Loadpin Datasheet

Page 1 ... General

Page 2 ... Mounting Situation

Page 3 ... Output Signal & Wiring

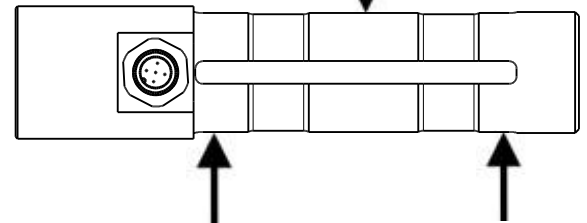


Marking:
 Loadpin: MBx
 Orderno.: MBx-xxx-x-x
 Serialno.: xxxxxxxx
 www.batarow.com
 Made in Germany

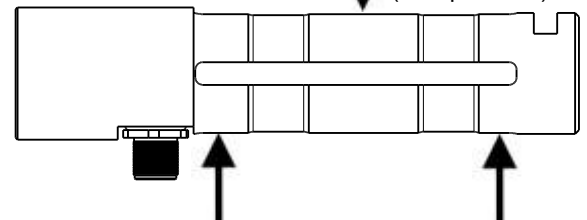
Order-number	Capacity (F.S.)	Uncertainty (k=2)	Review
MB1487-2-x-A	2 kN	±0,010kN	A
MB1487-5-x-A	5 kN	±0,025 kN	A
MB1487-10-x-A	10 kN	±0,050 kN	A
MB1487-30-x-A*	30 kN	±0,150 kN	A
MB1487-60-x-A	60 kN	±0,300 kN	A

* above showed version
 The fixed dimensions don't change at the other capacity.

Y-Axis:
 ↑ -Output (Tension)
 ↓ +Output (Compression)



X-Axis:
 ↑ -Output (Tension)
 ↓ +Output (Compression)



Specifications:

Dimension / Material		
Material		Stainless Steel
Protection class		IP 66
Hardness (load area)	HRC	40..45
Mechanical Data		
Safe Load Limit	% of F.S.	150
Breaking Load	% of F.S.	300
Precision		
Nonlinearity	% of F.S.	±0,5
Nonrepeatability	% of F.S.	±0,25
Hysteresis	% of F.S.	±0,2
Temp. Shift Zero	% of F.S./K.	±0,05
Temp. Shift Span	% of F.S./K.	±0,05
Temperature		
Compensated Temp.	°C	-10...+60
Operating Temp.	°C	-25...+70



Batarow
 Made in Germany

Batarow Sensorik GmbH
 Gewerbegebiet 4
 18276 Lüssow OT Karow

Mail: info@batarow.com
 Phone: +49 (0) 3843-855555
 Fax : +49 (0) 3843-855556

Internet:
 www.batarow.com

Mounting Situation

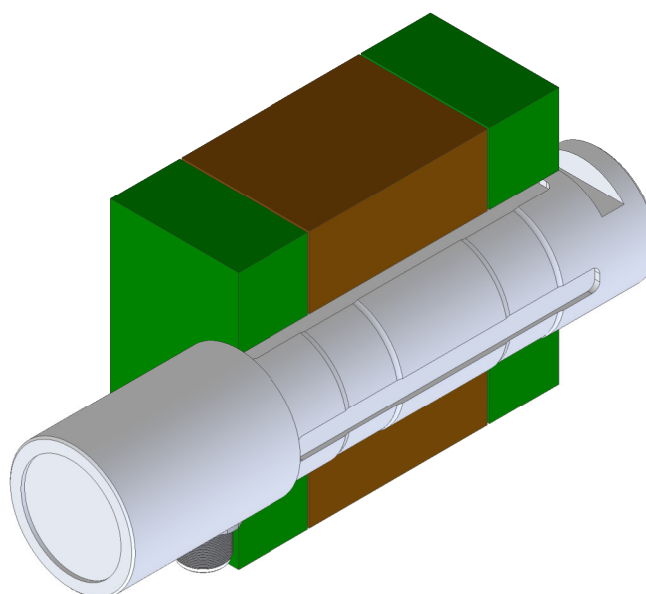
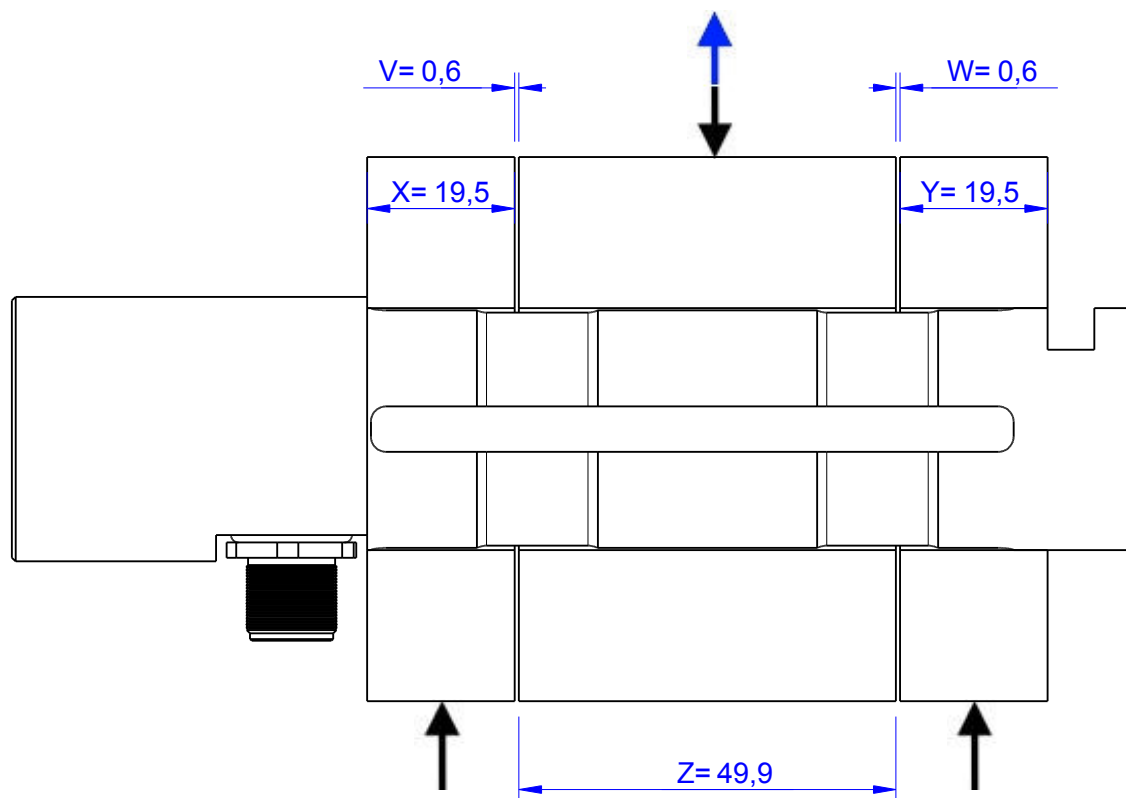
MB1487 Review: A

Bore fit of mounting situation: H7

Configuration

possible mounting situation / customer mounting could vary

(Please describe mounting situation with Vs, Ws, Xs, Ys and Zs for best possible calibration)



Batarow
Made in Germany

Batarow Sensorik GmbH
Gewerbegebiet 4
18276 Lüssow OT Karow

Mail: info@batarow.com
Phone: +49 (0) 3843-855555
Fax : +49 (0) 3843-855556

Internet:
www.batarow.com

Output Signal & Wiring

MB1486 Review: A

Analog Output mV/V (S1)

Electrical Data		
Rated Output	mV/V@F.S.	1
Zero Balance	mV/V	±0,05
Excitation (Maximum)	Volt	10
Input Resistance	Ohm	450±100
Output Resistance	Ohm	352±2
Insulating Resistance	GOhm	>5

Wiringcode: WC56				
Cabeling: M12 Male Socket / Flanschdose (male)				
+Us (Fx)	Pin 2 / brown	+Us (Fy)	Pin 6 / pink	
-Us (Fx)	Pin 1 / white	-Us (Fy)	Pin 5 / grey	
+Ud (Fx)	Pin 3 / green	+Ud (Fy)	Pin 7 / blue	
-Ud (Fx)	Pin 4 / yellow	-Ud (Fy)	Pin 8 / red	

Ordernumber Add-On:
MBxxx-x-S1-x

Analog Output 0V..10V (U4)*

Electrical Data U4		
Output @ -F.S.	V	0
Output @ 0kN	V	5
Output @ +F.S.	V	10
Supply Voltage	V	14..28V
Current Consumption	mA	25 (@ 24V)
Bandwidth	kHz	1

Wiringcode: WC510				
Integrated Amplifier: GSV				
Cabeling: M12 Male Socket / Flanschstecker (male)				
Supply(+)	Pin 1	Output X-Axis	Pin 4	
Ground(-)	Pin 3	Output Y-Axis	Pin 6	
Tare X	Pin 2	Tare Y	Pin 7	
Scale X	Pin 5	Scale Y	Pin 8	

Ordernumber Add-On:
MBxxx-x-U4-x

Analog Output 4..20mA (I4)*

Electrical Data I4		
Output @ -F.S.	mA	4
Output @ 0kN	mA	12
Output @ +F.S.	mA	20
Supply Voltage	V	14..28
Current Consumption	mA	90 (@ 24V)
Bandwidth	kHz	1

Wiringcode: WC510				
Integrated Amplifier: GSV				
Cabeling: M12 Male Socket / Flanschstecker (male)				
Supply(+)	Pin 1	Output X-Axis	Pin 4	
Ground(-)	Pin 3	Output Y-Axis	Pin 6	
Tare X	Pin 2	Tare Y	Pin 7	
Scale X	Pin 5	Scale Y	Pin 8	

Ordernumber Add-On:
MBxxx-x-I4-x