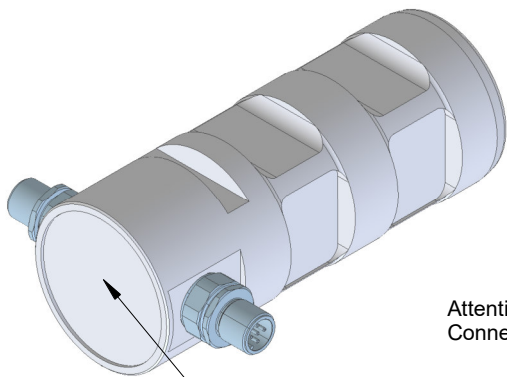
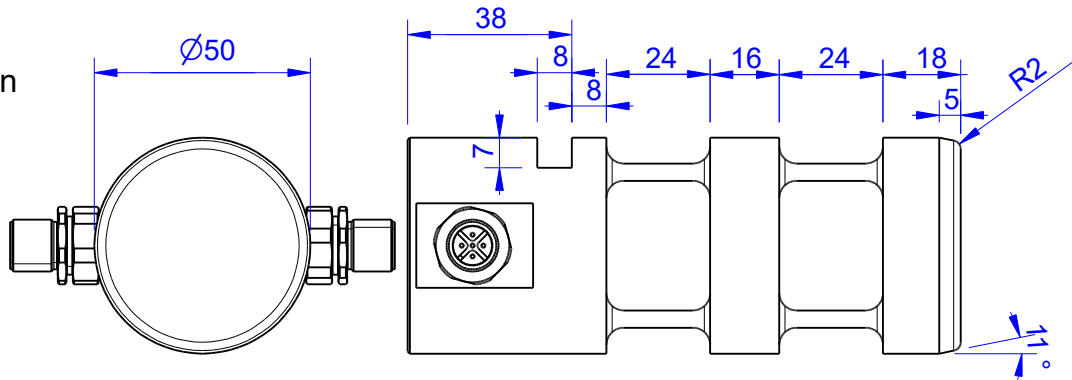


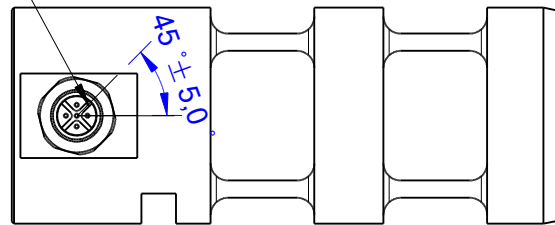
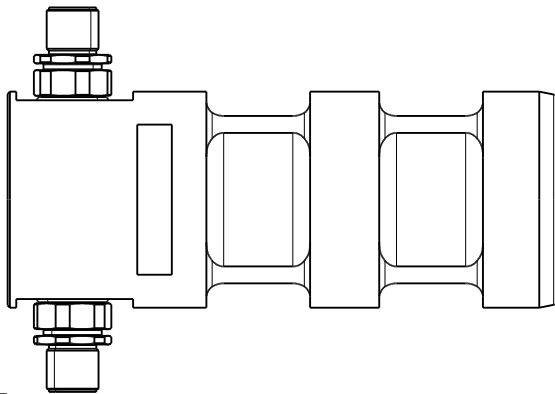
# MB1485

Redundant Load Pin



Attention:  
Connector Direction

Marking:  
Loadpin: MBx  
Orderno.: MBx-xxx-x-x  
Serialno.: xxxxxxxx  
www.batarow.com  
Made in Germany

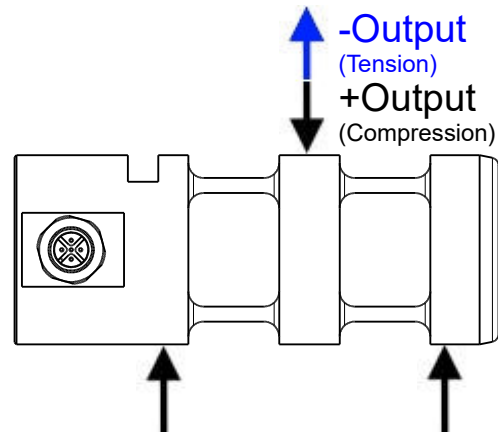


Order-number	Capacity (F.S.)	Uncertainty (k=2)	Review
MB1485-10-x-A	10 kN	±0,05kN	A
MB1485-20-x-A	20 kN	±0,10 kN	A
MB1485-50-x-A	50 kN	±0,20 kN	A
MB1485-82,5-x-A*	82,5 kN	±0,45 kN	A
MB1485-180-x-A	180 kN	±0,90kN	A

\* above showed version  
The fixed dimensions don't change at the other capacity.

## Specifications:

Dimension / Material		
Material		Stainless Steel
Protection class		IP 66
Hardness (load area)	HRC	38
<b>Mechanical Data</b>		
Safe Load Limit	% of F.S.	150
Breaking Load	% of F.S.	300
<b>Precision</b>		
Nonlinearity	% of F.S.	±0,5
Nonrepeatability	% of F.S.	±0,25
Hysteresis	% of F.S.	±0,2
Temp. Shift Zero	% of F.S./K.	±0,05
Temp. Shift Span	% of F.S./K.	±0,05
<b>Temperature</b>		
Compensated Temp.	°C	-10...+60
Operating Temp.	°C	-20...+70



**Batarow**  
Made in Germany

Batarow Sensorik GmbH  
Pappelweg 16  
18276 Lüssow OT Karow

Mail: info@batarow.com  
Phone: +49 (0) 3843-855555  
Fax : +49 (0) 3843-218842

Internet:  
www.batarow.com

# Mounting Situation

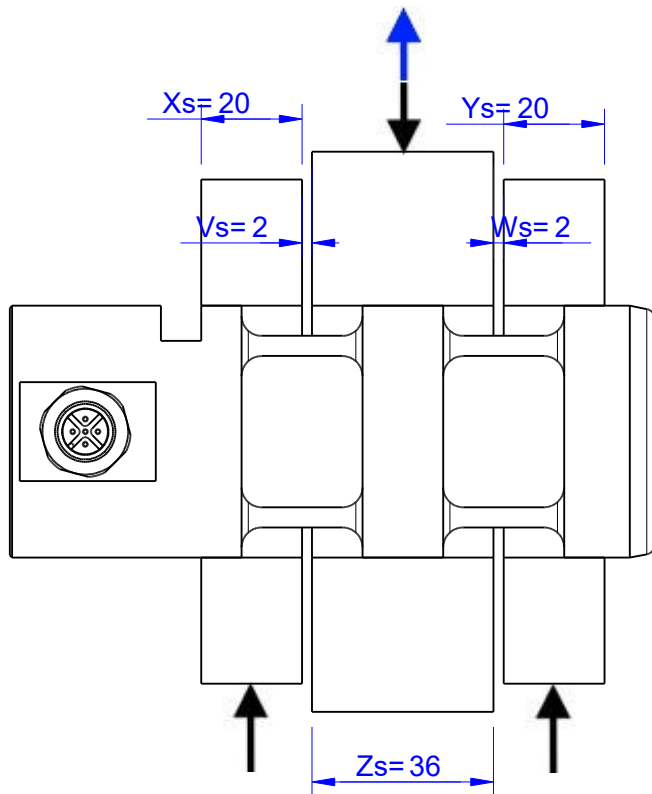
MB1485 Review: A

Bore fit of mounting situation: H7

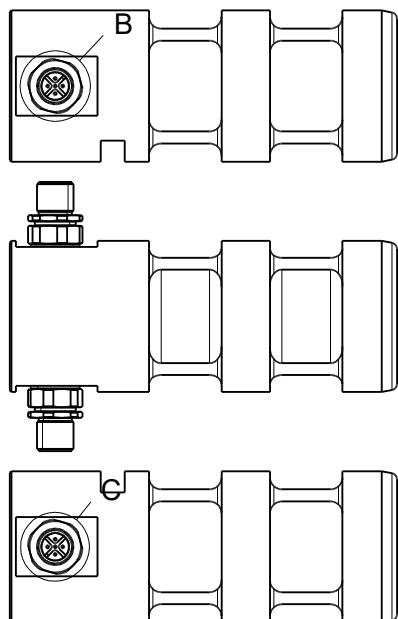
## Configuration

possible mounting situation / customer mounting could vary

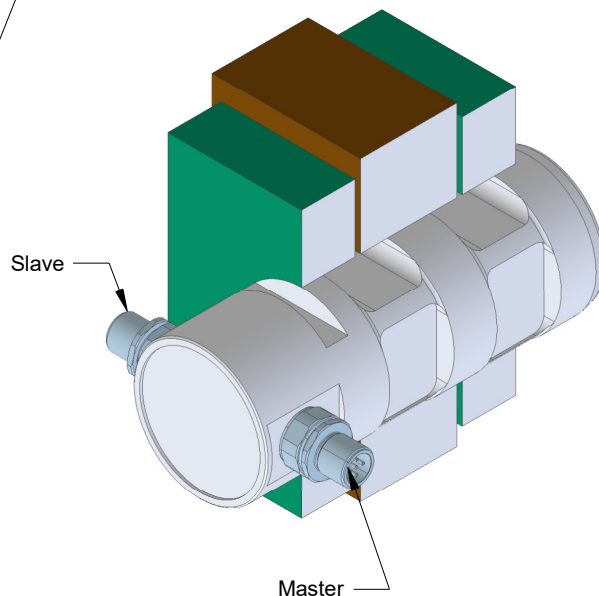
(Please describe mounting situation with Vs, Ws, Xs, Ys and Zs for best possible calibration)



## Connector Orientation



Attention Nippel Orientation



**Batarow**  
Made in Germany

Batarow Sensorik GmbH  
Pappelweg 16  
18276 Lüssow OT Karow

Mail: [info@batarow.com](mailto:info@batarow.com)  
Phone: +49 (0) 3843-855555  
Fax : +49 (0) 3843-218842

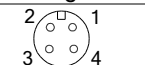
Internet:  
[www.batarow.com](http://www.batarow.com)

# Output Signal & Wiring

MB1485 Review: A

## Analog Output mV/V (S1)

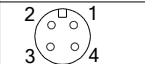
Electrical Data		
Rated Output	mV/V@F.S.	1
Zero Balance	mV/V	±0,05
Exitation (Maximum)	Volt	10
Input Resistance	Ohm	450±100
Output Resistance	Ohm	352±2
Insulating Resistance	GOhm	>5

Wiringcode: WC58		Connectortype: M12 (male)			
	Exitation (+) Pin 1	Exitation (-) Pin 2	Bridge (+) Pin 3	Bridge (-) Pin 4	

Ordernumber Add-On:  
MBxxx-x-S1-x

## Analog Output 1V..10V (U1)\*


Electrical Data U1		
Output @ 0kN	V	1±0,2
Output @ F.S.	V	10±0,2
Supply Voltage	V	24±2
Current Consumption	mA	25 (@ 24V)
Bandwidth	kHz	2,2±0,2

Wiringcode: WC36		Connectortype: M12 (male)		
	Supply (+) Pin 1	GND Pin 3	Output Pin 4	

Ordernumber Add-On:  
MBxxx-x-U1-x

## Analog Output 4..20mA (I1)\*

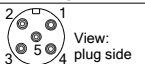
Electrical Data I1		
Output @ 0kN	mA	4±0,5
Output @ F.S.	mA	20±0,5
Supply Voltage	V	24±2
Current Consumption	mA	45 (@ 24V)
Bandwidth	kHz	2,2±0,2

Wiringcode: WC36		Connectortype: M12 (male)		
	Supply (+) Pin 1	GND Pin 3	Output Pin 4	

Ordernumber Add-On:  
MBxxx-x-I1-x

## Analog & Switch Output 0V..10V (U20)\*

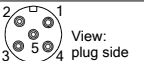
Electrical Data U20		
Output @ 0kN	V	0
Output @ F.S.	V	10
Supply Voltage	V	11..30
Current Consumption	mA	15 (@ 24V)
Bandwidth	Hz	105
Switching Output		Open Collector
max. Switching current	mA	100

Wiringcode: WC46		Connectortype: M12 (male plug)				
	View: plug side	Supply (+) Pin 1	Output Pin 4	GND Pin 3	Tara Pin 2	Scale Pin 5

Ordernumber Add-On:  
MBxxx-x-U20-x

## Analog & Switch Output 4..20mA (I20)\*

Electrical Data I20		
Output @ 0kN	mA	4
Output @ F.S.	mA	20
Supply Voltage	V	11..30
Current Consumption	mA	15 (@ 24V)
Bandwidth	Hz	105
Switching Output		Open Collector
max. Switching current	mA	100

Wiringcode: WC46		Connectortype: M12 (male plug)				
	View: plug side	Supply (+) Pin 1	Output Pin 4	GND Pin 3	Tara Pin 2	Scale Pin 5

Ordernumber Add-On:  
MBxxx-x-I20-x

Attention: Nipple orientation of connector is not fixed. In case of 90° connector - it is necessary to set by customer.

\*Attention: With this output configuration is no negative signal (Tension) possible. Please ask our engineering for 4..12..20mA; 1..5..9V or ±10V versions.

**Batarow**  
Made in Germany

Batarow Sensorik GmbH  
Pappelweg 16  
18276 Lüssow OT Karow

Mail: [info@batarow.com](mailto:info@batarow.com)  
Phone: +49 (0) 3843-855555  
Fax : +49 (0) 3843-218842

**Internet:**  
[www.batarow.com](http://www.batarow.com)

# Performance Level

MB1485 Review: A

## 1. Identification:

ISO 13849-1: 2008 Category 1 PL c

## 2. Classification:

Used standard: DIN EN ISO 13849-1: 2008

Performance Level: Plc

Category: 1

Diagnostic coverage: Low

MTTFd-value: 128 years (for each channel of the redundant loadpin)

## 3. Limits for the operation:

All technical information from datasheet have to be considered.

Deviations lead to loss of safety functions: Attention

Only use the loadpin within the temperature limits of  $-20^{\circ}\text{C}$  to  $+70^{\circ}\text{C}$

Use the right range of supply voltage

Protect the loadpin of mechanical overload

## 4. Lifetime

The calculations are based on a lifetime of 20 years in continuous operation with a maximum duty cycles of from 260,000 cycles per year.

## 5. Error display:

The error display is performed by the undershoot and overshoot of the signal.

### Voltage output:

Error 1: the output voltage is less 0,5V

Error 2: the output voltage is greater 9.5V

### Current output:

Error 1: the output current is less 3.5mA

Error 2: the output current is greater 20.5mA