

MB1464

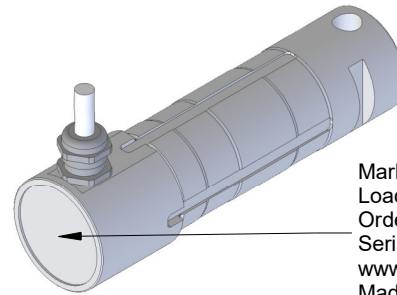
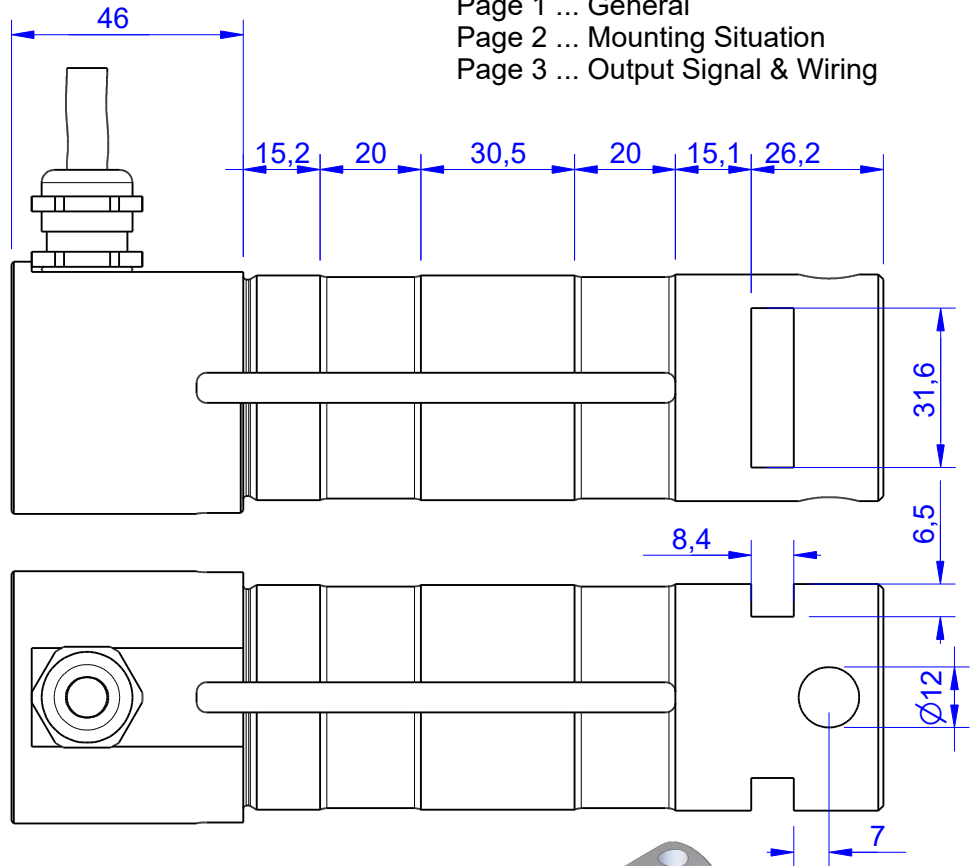
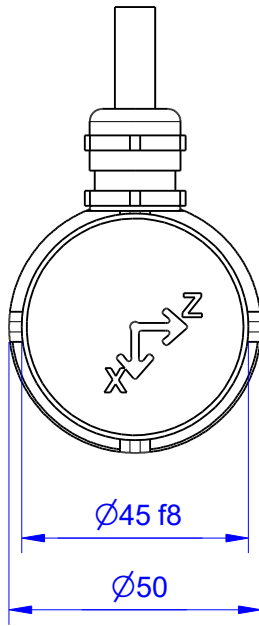
2 Axis Load Pin

Content of Loadpin Datasheet

Page 1 ... General

Page 2 ... Mounting Situation

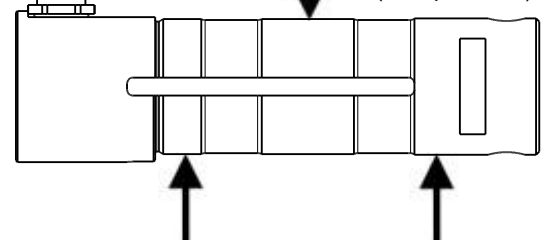
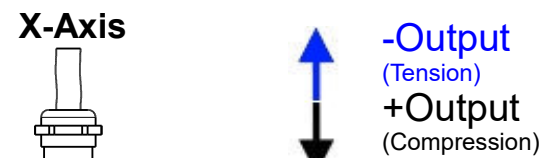
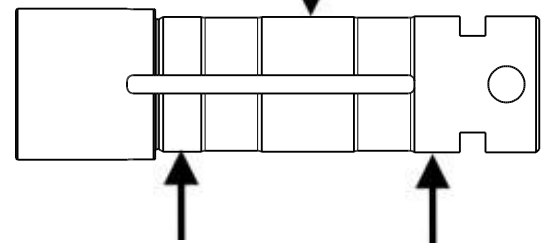
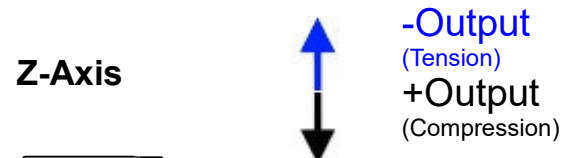
Page 3 ... Output Signal & Wiring



Marking:
Loadpin: MBx
Orderno.: MBx-xxx-x-x
Serialno.: xxxxxxxx
www.batarow.com
Made in Germany

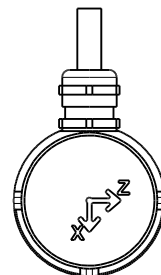
Ordernumber	Capacity [kN] (F.S.)	Uncertainty [kN] (k=2)	Review
MB1464-20-x-G	20	± 0,01	G
MB1464-50-x-G	50	± 0,25	G
MB1464-100-x-G	100	± 0,50	G
MB1464-140-x-G	140	± 0,70	G
MB1464-160-x-G*	160	± 0,80	G

* above showed version
fixed dimensions don't change at other capacity



Specifications:

Dimension / Material		Stainless Steel
Material		Stainless Steel
Protection class		IP 66
Hardness (load area)	HRC	40..45
Mechanical Data		
Safe Load Limit	% of F.S.	120
Breaking Load	% of F.S.	250
Precision		
Nonlinearity	% of F.S.	±0,5
Nonrepeatability	% of F.S.	±0,25
Hysteresis	% of F.S.	±0,2
Temp. Shift Zero	% of F.S./K.	±0,05
Temp. Shift Span	% of F.S./K.	±0,05
Temperature		
Compensated Temp.	°C	-10...+60
Operating Temp.	°C	-20...+70



Batarow
Made in Germany

Batarow Sensorik GmbH
Gewerbegebiet 4
18276 Lüssow OT Karow

Mail: info@batarow.com
Phone: +49 (0) 3843-855555
Fax : +49 (0) 3843-855556

Internet:
www.batarow.com

Mounting Situation

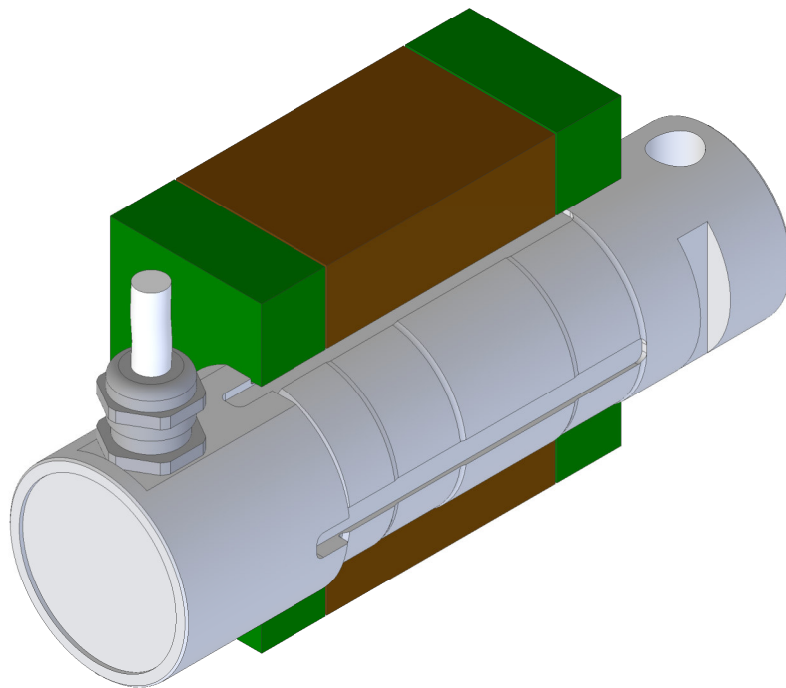
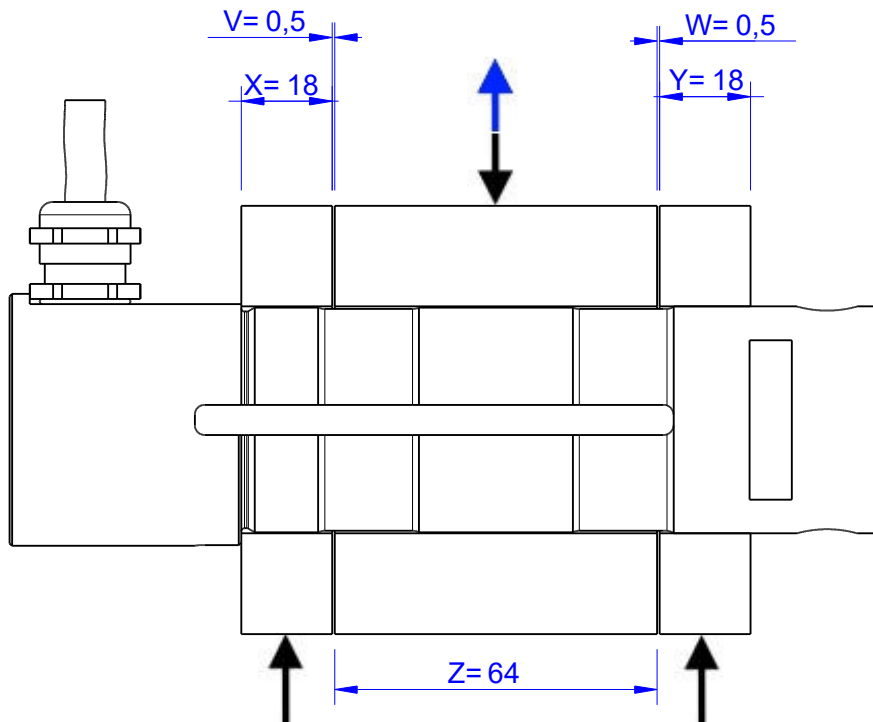
MB1464 Review: G

Bore fit of mounting situation: H7

Configuration

possible mounting situation / customer mounting could vary

(Please describe mounting situation with Vs, Ws, Xs, Ys and Zs for best possible calibration)



Batarow
Made in Germany

Batarow Sensorik GmbH
Gewerbegebiet 4
18276 Lüssow OT Karow

Mail: info@batarow.com
Phone: +49 (0) 3843-855555
Fax : +49 (0) 3843-855556

Internet:
www.batarow.com

Output Signal & Wiring

MB1464 Review: G

Analog Output mV/V (S1)

Electrical Data		
Rated Output	mV/V@F.S.	1
Zero Balance	mV/V	±0,05
Excitation (Maximum)	Volt	10
Input Resistance	Ohm	450±100
Output Resistance	Ohm	352±2
Insulating Resistance	GOhm	>5

Wiringcode: WC59			
Cabeling: 10m 4x2x025 PUR			
+Us (Fx)	brown	+Us (Fy)	pink
-Us (Fx)	white	-Us (Fy)	grey
+Ud (Fx)	green	+Ud (Fy)	blue
-Ud (Fx)	yellow	-Ud (Fy)	red

Ordernumber Add-On:
MBxxx-x-S1-x

Analog Output 1V..10V (U1)*

Electrical Data U1		
Output @ 0kN	V	0
Output @ F.S.	V	10
Supply Voltage	V	14..28
Current Consumption	mA	25 (@ 24V)
Bandwidth	kHz	1

Wiringcode: WC500			
integrated Amplifier: 2xGSV6			
Cabeling: 10m 2x4x0,14			
X-Axis		Y-Axis	
Supply (+)	brown	Supply (+)	brown
Ground (-)	white	Ground (-)	white
Output	green	Output	pink
Tare	yellow	Tare	blue
Scale	grey	Scale	red

Ordernumber Add-On:
MBxxx-x-U1-x

Analog Output 4..20mA (I1)*

Electrical Data I1		
Output @ 0kN	mA	4
Output @ F.S.	mA	20
Supply Voltage	V	14..28
Current Consumption	mA	45 (@ 24V)
Bandwidth	kHz	1

Wiringcode: WC500			
integrated Amplifier: 2xGSV6			
Cabeling: 10m 2x4x0,14			
X-Axis		Y-Axis	
Supply (+)	brown	Supply (+)	brown
Ground (-)	white	Ground (-)	white
Output	green	Output	pink
Tare	yellow	Tare	blue
Scale	grey	Scale	red

Ordernumber Add-On:
MBxxx-x-I1-x

Analog & Switch Output 0V..10V (U20)*

Electrical Data U20		
Output @ 0kN	V	0
Output @ F.S.	V	10
Supply Voltage	V	9..28
Current Consumption	mA	15 (@ 24V)
Bandwidth	Hz	2000
Switching Output		Open Collector
max. Switching current	mA	100

Wiringcode: WC500			
integrated Amplifier: 2xGSV6			
Cabeling: 10m 2x4x0,14			
X-Axis		Y-Axis	
Supply (+)	brown	Supply (+)	brown
Ground (-)	white	Ground (-)	white
Output	green	Output	pink
Tare	yellow	Tare	blue
Scale	grey	Scale	red

Ordernumber Add-On:
MBxxx-x-U20-x

Analog & Switch Output 4..20mA (I20)*

Electrical Data I20		
Output @ 0kN	mA	4
Output @ F.S.	mA	20
Supply Voltage	V	9..28
Current Consumption	mA	35 (@ 24V)
Bandwidth	Hz	2000
Switching Output		Open Collector
max. Switching current	mA	100

Wiringcode: WC500			
integrated Amplifier: 2xGSV6			
Cabeling: 10m 2x4x0,14			
X-Axis		Y-Axis	
Supply (+)	brown	Supply (+)	brown
Ground (-)	white	Ground (-)	white
Output	green	Output	pink
Tare	yellow	Tare	blue
Scale	grey	Scale	red

Ordernumber Add-On:
MBxxx-x-I20-x

Attention: Nipple orientation of connector is not fixed. In case of 90° connector - it is necessary to set by customer.

*Attention: With this output configuration is no negative signal (Tension) possible. Please ask our engineering for 4..12..20mA; 1..5..9V or ±10V versions.

Batarow
Made in Germany

Batarow Sensorik GmbH
Gewerbegebiet 4
18276 Lüssow OT Karow

Mail: info@batarow.com
Phone: +49 (0) 3843-855555
Fax : +49 (0) 3843-855556

Internet:
www.batarow.com