

# MB1450

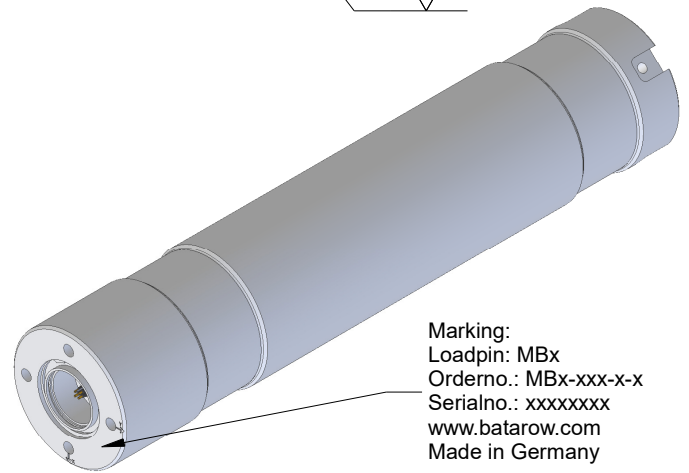
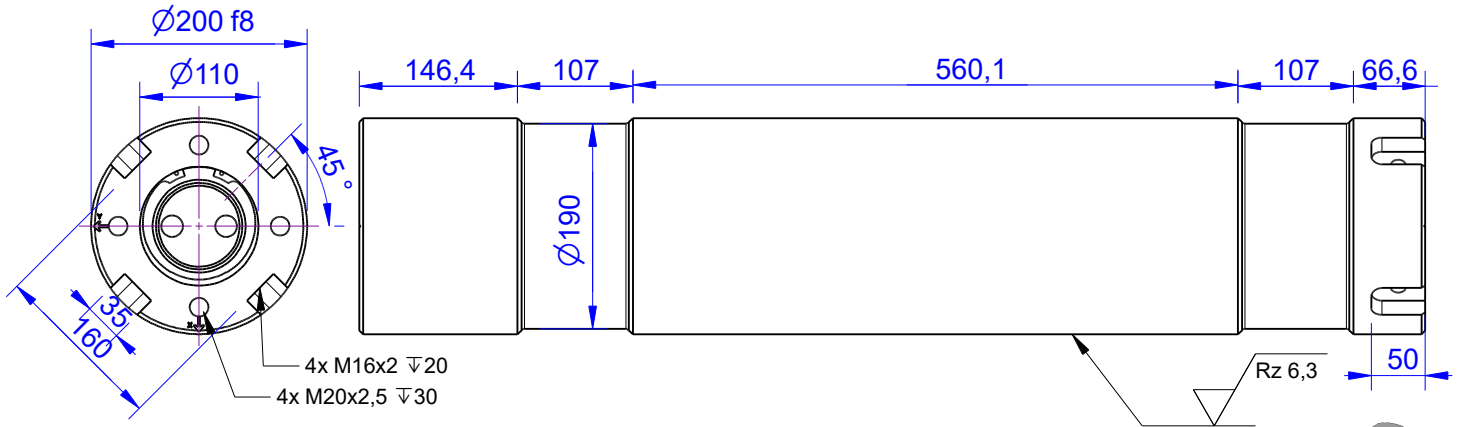
Load Pin

## Content of Loadpin Datasheet

Page 1 ... General

Page 2 ... Mounting Situation

Page 3 ... Output Signal & Wiring



Marking:  
Loadpin: MBx  
Orderno.: MBx-xxx-x-x  
Serialno.: xxxxxxxx  
www.batarow.com  
Made in Germany

Ordernumber	Capacity [kN] (F.S.)	Uncertainty [kN] (k=2)	Review
MB1450-50-x-B	50	$\pm 0,25$	B
MB1450-100-x-B	100	$\pm 0,50$	B
MB1450-200-x-B	200	$\pm 1,00$	B
MB1450-500-x-B	500	$\pm 2,50$	B
MB1450-1400-x-B*	1400	$\pm 7,00$	B

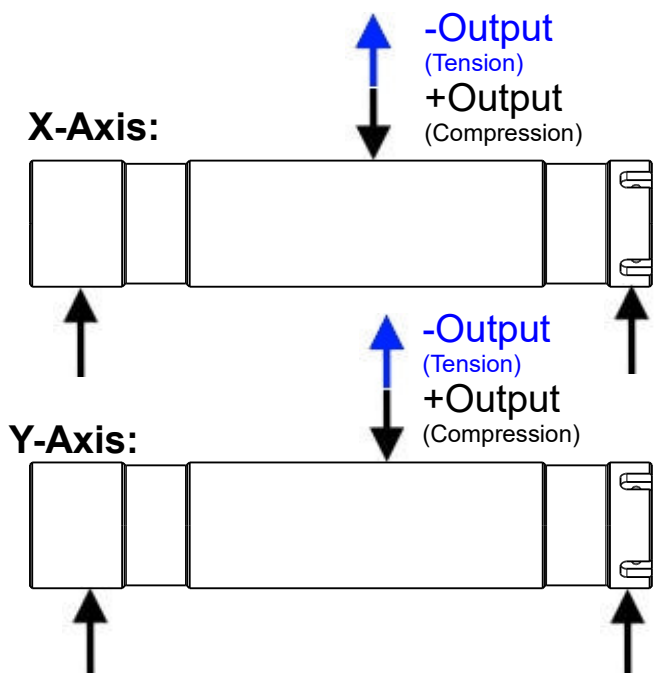
\* above showed version  
fixed dimensions don't change at other capacity

### Specifications:

Dimension / Material		
Material		Steel **
Protection class		IP 68
Hardness (load area)	HRC	45..48
<b>Mechanical Data</b>		
Safe Load Limit	% of F.S.	150
Breaking Load	% of F.S.	300
<b>Precision</b>		
Nonlinearity	% of F.S.	$\pm 0,5$
Nonrepeatability	% of F.S.	$\pm 0,25$
Hysteresis	% of F.S.	$\pm 0,2$
Temp. Shift Zero	% of F.S./K.	$\pm 0,05$
Temp. Shift Span	% of F.S./K.	$\pm 0,05$
<b>Temperature</b>		
Compensated Temp.	$^{\circ}\text{C}$	-10...+60
Operating Temp.	$^{\circ}\text{C}$	-20...+70

\*\* Attention surface of the load pin may corrode !

**!!! Attention Coordinate system deviates from the standard !!!**



**Batarow**  
Made in Germany

Batarow Sensorik GmbH  
Gewerbegebiet 4  
18276 Lüssow OT Karow

Mail: info@batarow.com  
Phone: +49 (0) 3843-855555  
Fax : +49 (0) 3843-855556

Internet:  
www.batarow.com

# Mounting Situation

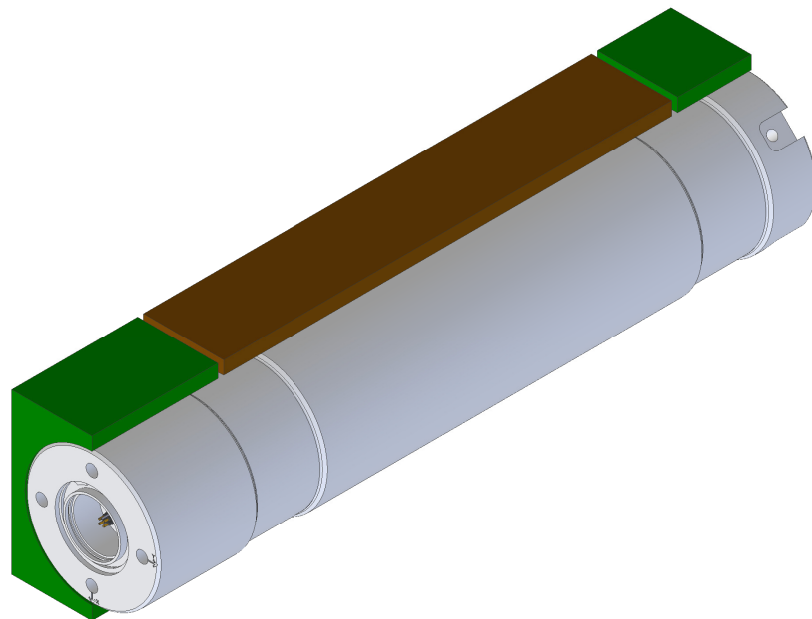
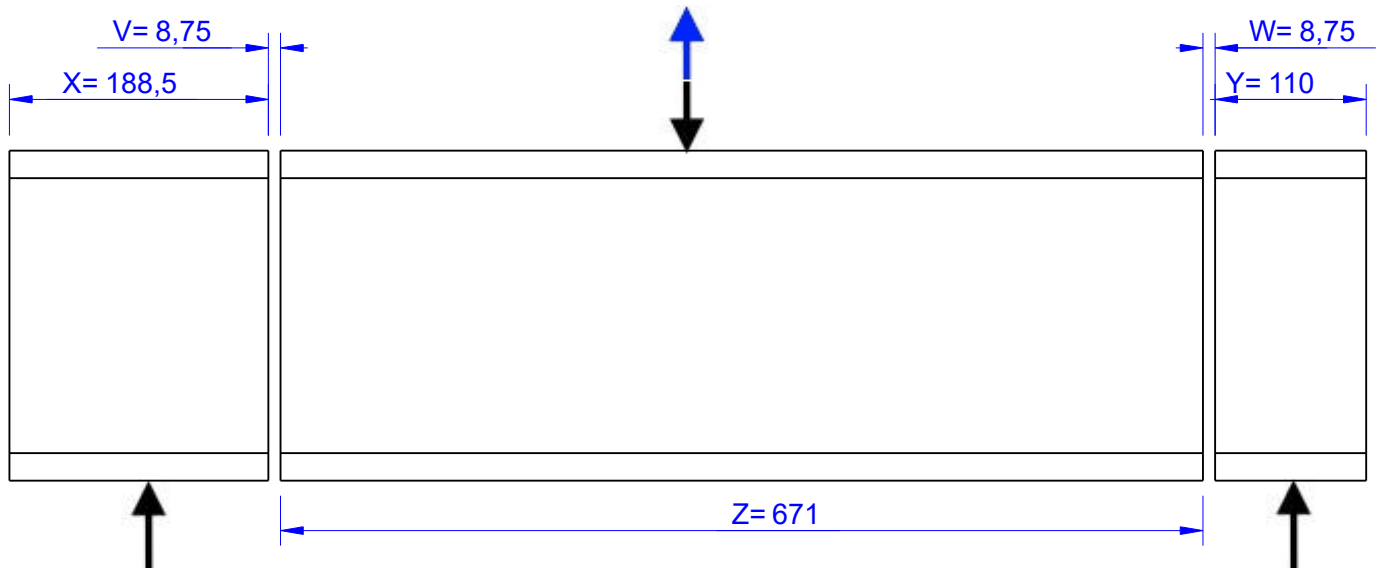
MB1450 Review: B

Bore fit of mounting situation: H7

## Configuration

possible mounting situation / customer mounting could vary

(Please describe mounting situation with Vs, Ws, Xs, Ys and Zs for best possible calibration)



**!!! Attention Coordinate system deviates from the standard !!!**

**Batarow**  
Made in Germany

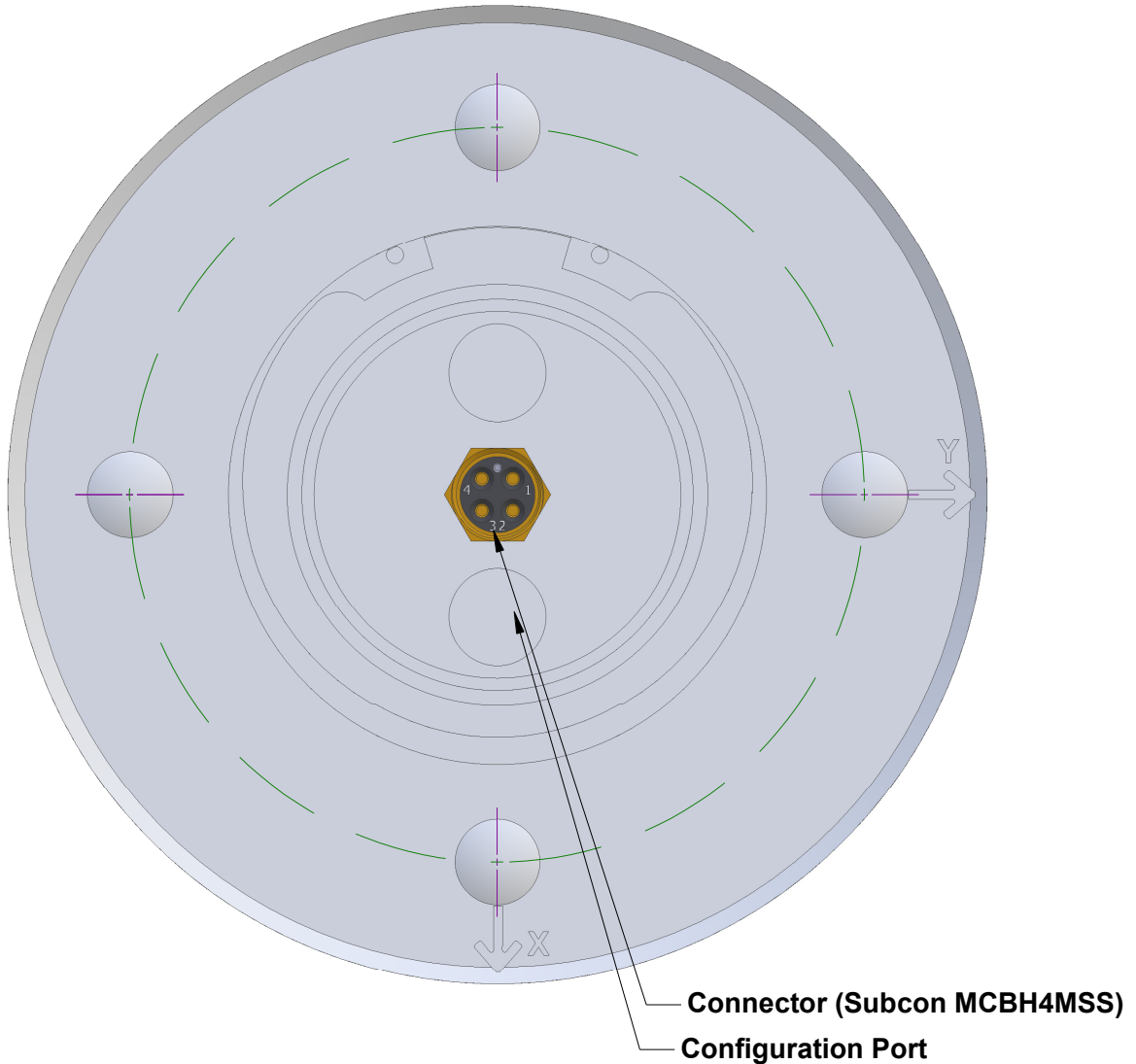
Batarow Sensorik GmbH  
Gewerbegebiet 4  
18276 Lüssow OT Karow

Mail: [info@batarow.com](mailto:info@batarow.com)  
Phone: +49 (0) 3843-855555  
Fax : +49 (0) 3843-855556

Internet:  
[www.batarow.com](http://www.batarow.com)

# Output Signal & Wiring

MB1450 Review: B



**!!! Attention Coordinate system deviates from the standard !!!**

## Analog & Switch Output 4..20mA (I21)\*

Electrical Data	I21	
Output @ -F.S.	mA	4
Output @ 0kN	mA	12
Output @ +F.S.	mA	20
Supply Voltage	V	11..30
Current Consumption	mA	45 (@ 24V)
Bandwidth	Hz	105

### WC48:

**Pin 1: Supply (+)**

**Pin 2: Output Y**

**Pin 3: GND**

**Pin 4: Output X**

Attention: Nipple orientation of connector is not fixed. In case of 90° connector - it is necessary to set by customer.

\*Attention: With this output configuration is no negative signal (Tension) possible. Please ask our engineering for 4..12..20mA; 1..5..9V or  $\pm 10V$  versions.

**Batarow**  
Made in Germany

Batarow Sensorik GmbH  
Gewerbegebiet 4  
18276 Lüssow OT Karow

Mail: [info@batarow.com](mailto:info@batarow.com)  
Phone: +49 (0) 3843-855555  
Fax : +49 (0) 3843-855556

**Internet:**  
[www.batarow.com](http://www.batarow.com)