

MB1449

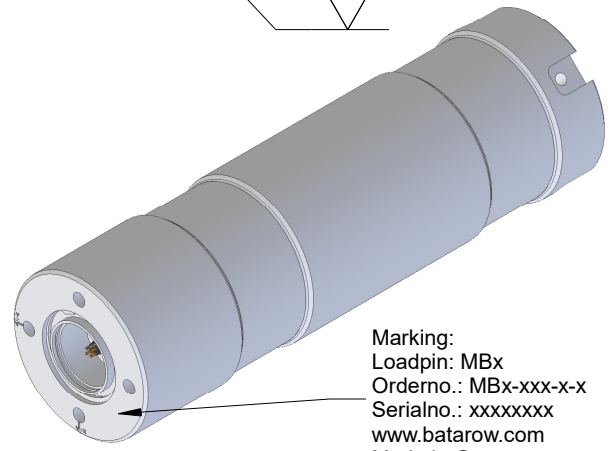
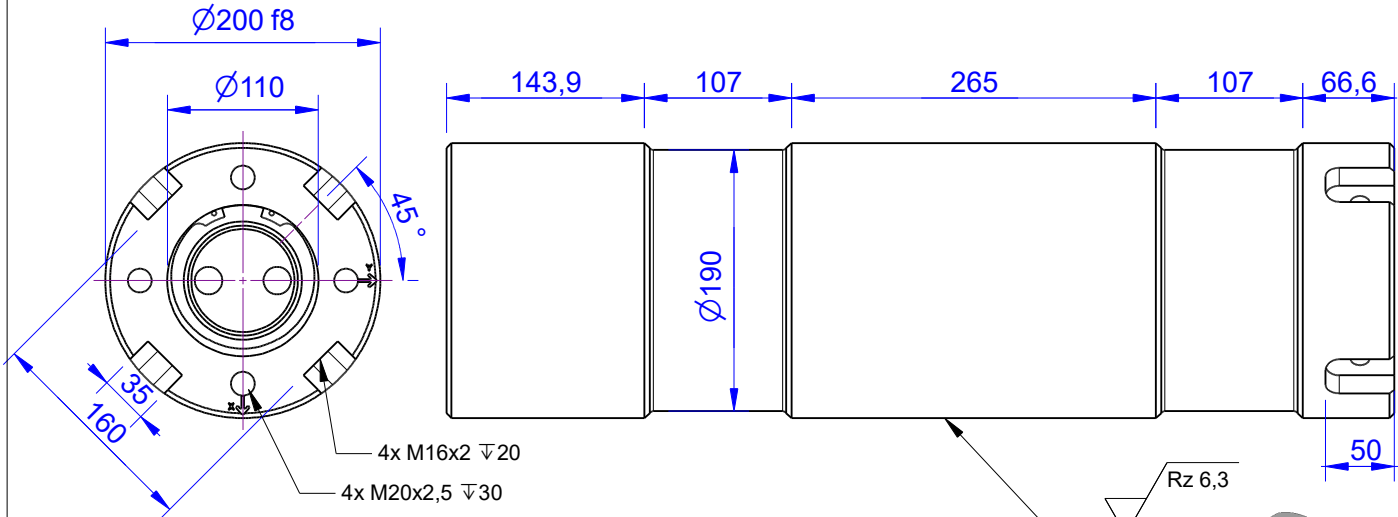
Load Pin

Content of Loadpin Datasheet

Page 1 ... General

Page 2 ... Mounting Situation

Page 3 ... Output Signal & Wiring



Marking:
 Loadpin: MBx
 Orderno.: MBx-xxx-x-x
 Serialno.: xxxxxxxx
 www.batarow.com
 Made in Germany

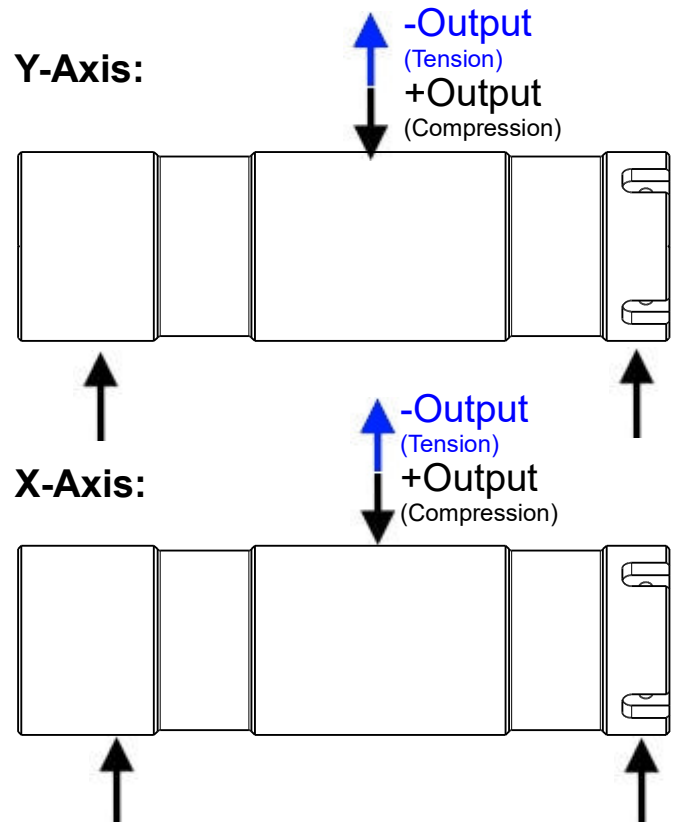
Ordernumber	Capacity [kN] (F.S.)	Uncertainty [kN] (k=2)	Review
MB1449-50-x-B	50	$\pm 0,25$	B
MB1449-100-x-B	100	$\pm 0,50$	B
MB1449-200-x-B	200	$\pm 1,00$	B
MB1449-500-x-B	500	$\pm 2,50$	B
MB1449-1400-x-B*	1400	$\pm 7,00$	B

* above showed version
 fixed dimensions don't change at other capacity

Specifications:

Dimension / Material		Steel **
Material		IP 68
Protection class		45..48
Hardness (load area)	HRC	
Mechanical Data		
Safe Load Limit	% of F.S.	150
Breaking Load	% of F.S.	300
Precision		
Nonlinearity	% of F.S.	$\pm 0,5$
Nonrepeatability	% of F.S.	$\pm 0,25$
Hysteresis	% of F.S.	$\pm 0,2$
Temp. Shift Zero	% of F.S./K.	$\pm 0,05$
Temp. Shift Span	% of F.S./K.	$\pm 0,05$
Temperature		
Compensated Temp.	$^{\circ}\text{C}$	-10...+60
Operating Temp.	$^{\circ}\text{C}$	-20...+70

** Attention surface of the load pin may corrode !



Batarow
 Made in Germany

Batarow Sensorik GmbH
 Gewerbegebiet 4
 18276 Lüssow OT Karow

Mail: info@batarow.com
 Phone: +49 (0) 3843-855555
 Fax : +49 (0) 3843-855556

Internet:
 www.batarow.com

Mounting Situation

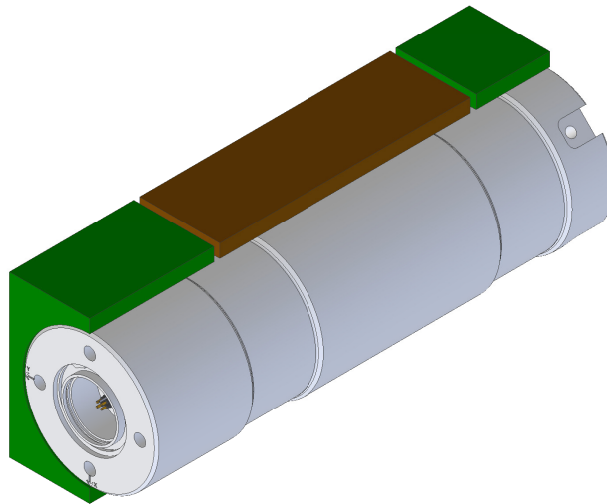
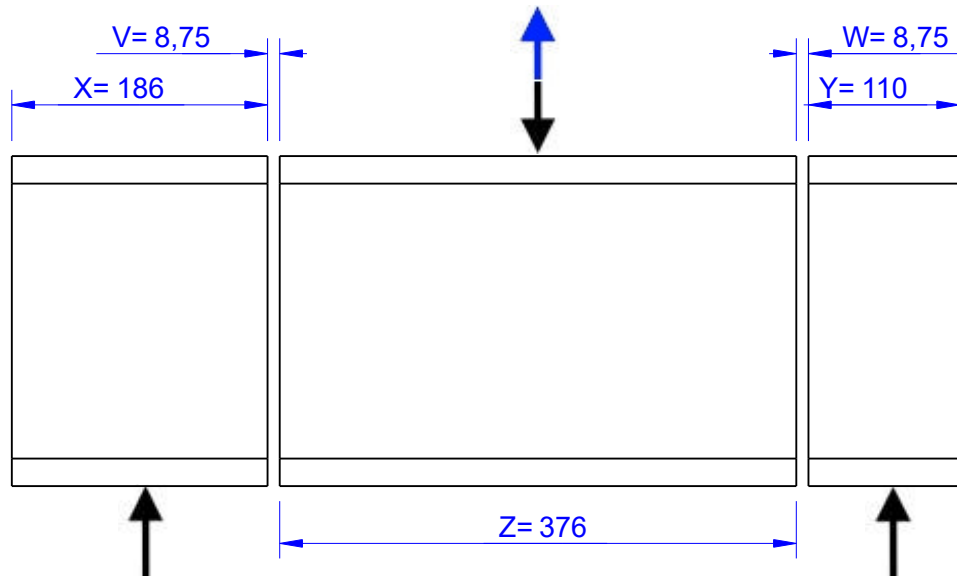
MB1449 Review: B

Bore fit of mounting situation: H7

Configuration

possible mounting situation / customer mounting could vary

(Please describe mounting situation with Vs, Ws, Xs, Ys and Zs for best possible calibration)



Batarow
Made in Germany

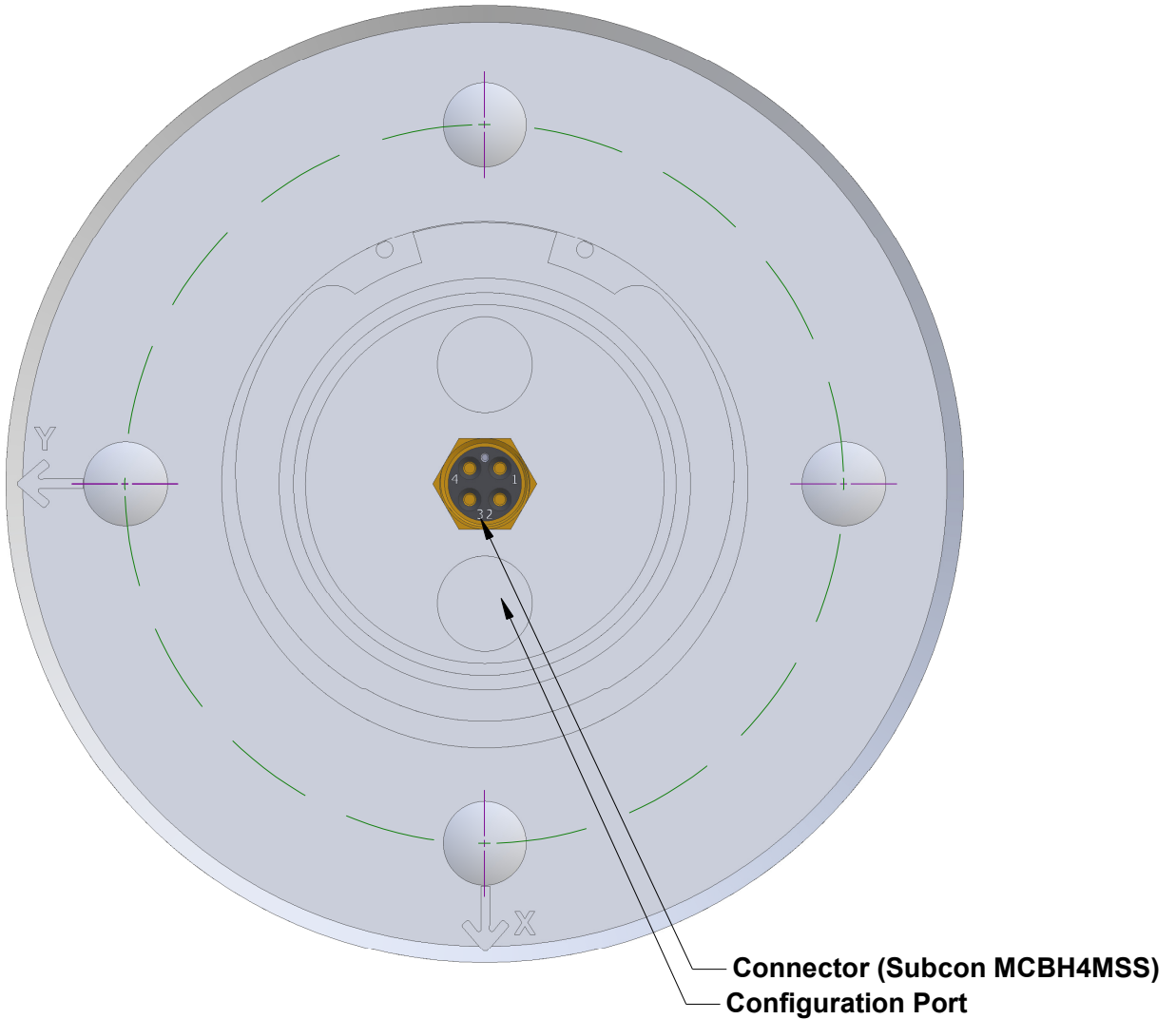
Batarow Sensorik GmbH
Gewerbegebiet 4
18276 Lüssow OT Karow

Mail: info@batarow.com
Phone: +49 (0) 3843-855555
Fax : +49 (0) 3843-855556

Internet:
www.batarow.com

Output Signal & Wiring

MB1449 Review: B



Analog & Switch Output 4..20mA (I21)*

Electrical Data	I21		
Output @ -F.S.	mA	4	
Output @ 0kN	mA	12	
Output @ +F.S.	mA	20	
Supply Voltage	V	11..30	
Current Consumption	mA	45 (@ 24V)	
Bandwidth	Hz	105	

WC48:
Pin 1: Supply (+)
Pin 2: Output Y
Pin 3: GND
Pin 4: Output X

Attention: Nipple orientation of connector is not fixed. In case of 90° connector - it is necessary to set by customer.

*Attention: With this output configuration is no negative signal (Tension) possible. Please ask our engineering for 4..12..20mA; 1..5..9V or ±10V versions.

Batarow
Made in Germany

Batarow Sensorik GmbH
Gewerbegebiet 4
18276 Lüssow OT Karow

Mail: info@batarow.com
Phone: +49 (0) 3843-855555
Fax : +49 (0) 3843-855556

Internet:
www.batarow.com