

MB1394

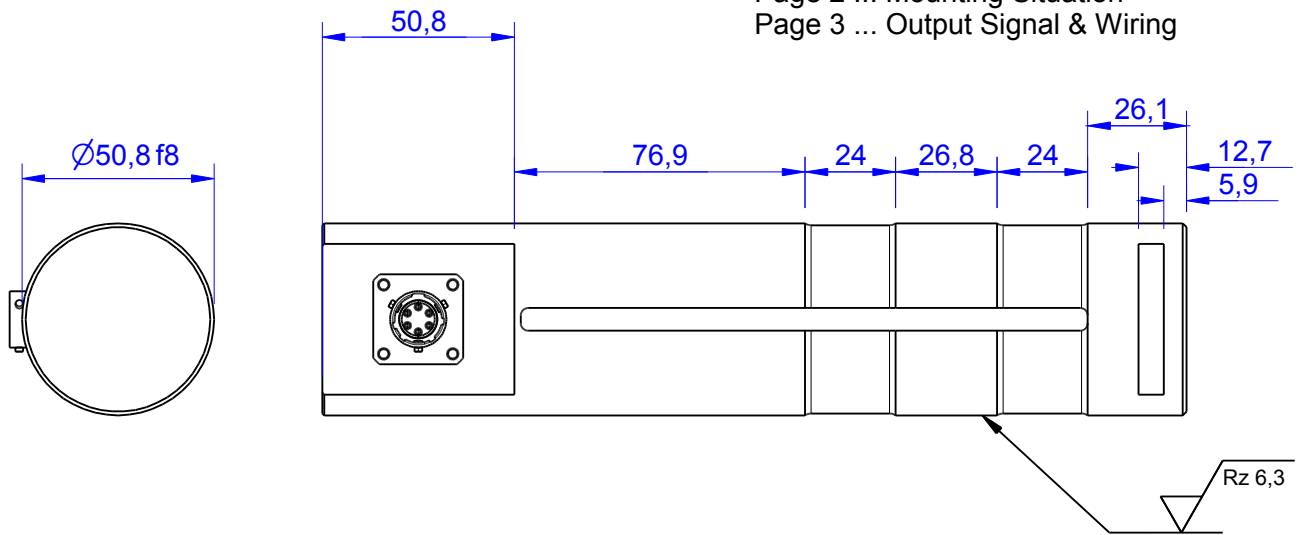
Load Pin

Content of Loadpin Datasheet

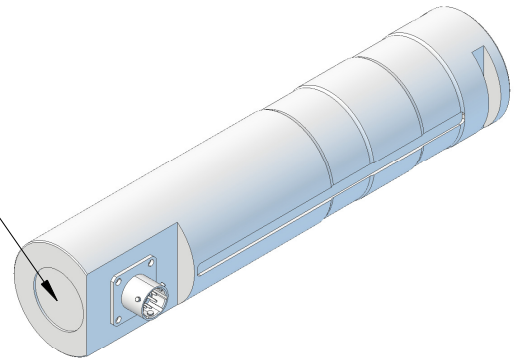
Page 1 ... General

Page 2 ... Mounting Situation

Page 3 ... Output Signal & Wiring



Marking:
Loadpin: MBx
Orderno.: MBx-xxx-x-x
Serialno.: xxxxxxxx
www.batarow.com
Made in Germany



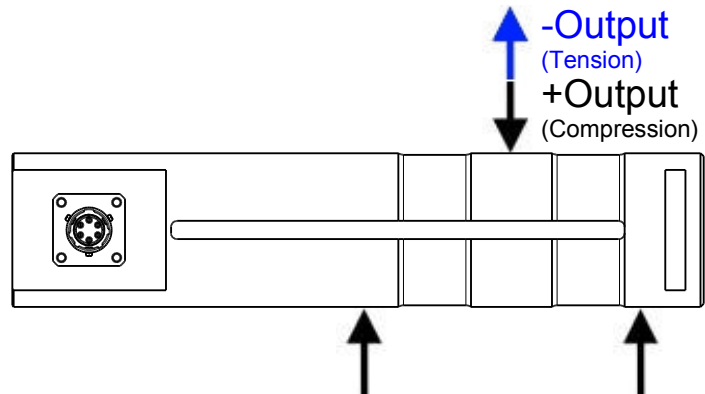
Order-number	Capacity (F.S.)	Uncertainty (k=2)	Review
MB1394-10-x-A	10 kN	±0,05kN	A
MB1394-20-x-A	20 kN	±0,10 kN	A
MB1394-50-x-A	50 kN	±0,25 kN	A
MB1394-100-x-A	100 kN	±0,50 kN	A
MB1394-230-x-A*	230 kN	±1,15 kN	A

* above showed version

The fixed dimensions don't change at the other capacity.

Specifications:

Dimension / Material		
Material		Stainless Steel
Protection class		IP 66
Hardness (load area)	HRC	40..45
Mechanical Data		
Safe Load Limit	% of F.S.	120
Breaking Load	% of F.S.	250
Precision		
Nonlinearity	% of F.S.	±0,5
Nonrepeatability	% of F.S.	±0,25
Hysteresis	% of F.S.	±0,2
Temp. Shift Zero	% of F.S./K.	±0,05
Temp. Shift Span	% of F.S./K.	±0,05
Temperature		
Compensated Temp.	°C	-10...+60
Operating Temp.	°C	-20...+70



Batarow
Made in Germany

Batarow Sensorik GmbH
Gewerbegebiet 4
18276 Lüssow OT Karow

Mail: info@batarow.com
Phone: +49 (0) 3843-855555
Fax : +49 (0) 3843-855556

Internet:
www.batarow.com

Mounting Situation

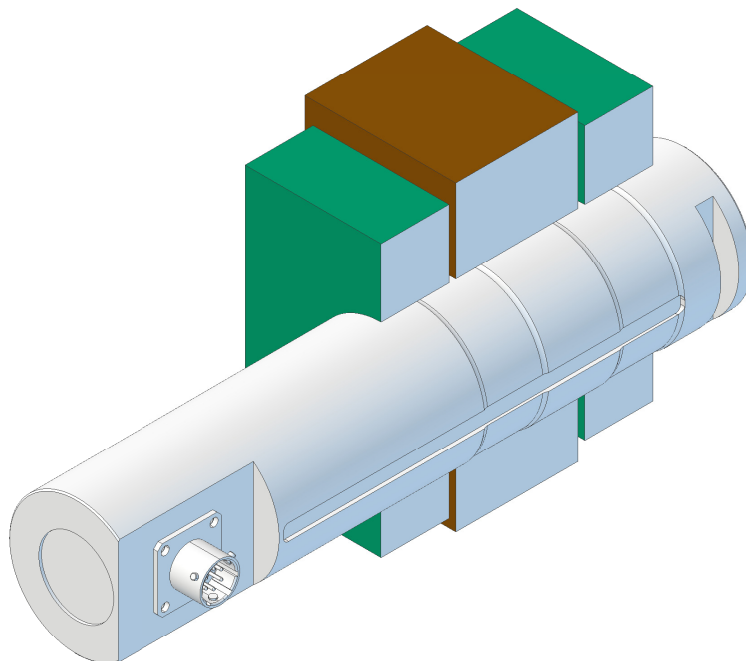
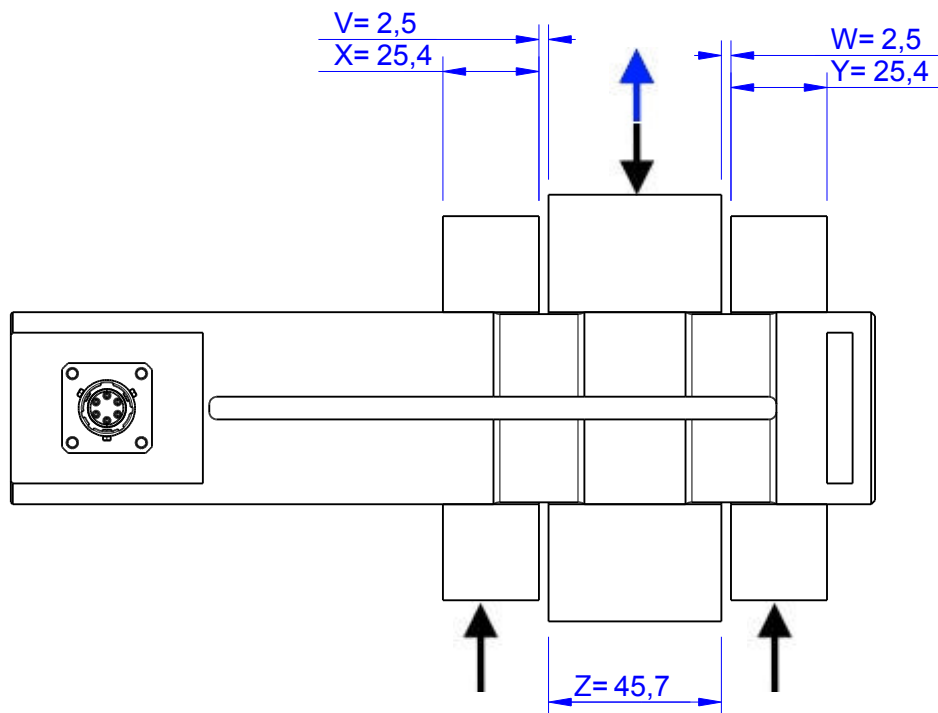
MB1394 Review: A

Bore fit of mounting situation: H7

Configuration

possible mounting situation / customer mounting could vary

(Please describe mounting situation with Vs, Ws, Xs, Ys and Zs for best possible calibration)



Batarow
Made in Germany

Batarow Sensorik GmbH
Gewerbegebiet 4
18276 Lüssow OT Karow

Mail: info@batarow.com
Phone: +49 (0) 3843-855555
Fax : +49 (0) 3843-855556

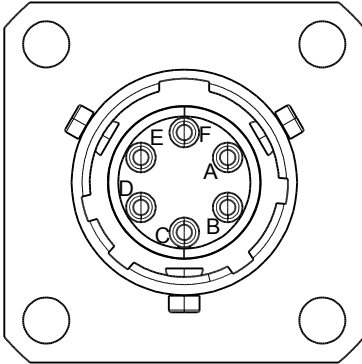
Internet:
www.batarow.com

Output Signal & Wiring

MB1394 Review: A

Analog & Switch Output 4..20mA (I20)*

Electrical Data I21		
Output @ -F.S.	mA	4
Output @ 0kN	mA	12
Output @ +F.S.	mA	20
Supply Voltage	V	11..30
Current Consumption	mA	45 (@ 24V)
Bandwidth	Hz	105



Wiringcode: WC525			
Integrated Amplifier: GSV-6			
Cabeling: Amphenol 62GB-12E10-06PN			
Supply (+)	PIN A	Tara	PIN D
GND	PIN B	Scale	PIN E
Output	PIN C	-	PIN F

Ordernumber Add-On:
MBxxx-x-I21-x

Attention: Nipple orientation of connector is not fixed. In case of 90° connector - it is necessary to set by customer.

*Attention: With this output configuration is no negative signal (Tension) possible. Please ask our engineering for 4..12..20mA; 1..5..9V or ±10V versions.

Batarow
Made in Germany

Batarow Sensorik GmbH
Gewerbegebiet 4
18276 Lüssow OT Karow

Mail: info@batarow.com
Phone: +49 (0) 3843-855555
Fax : +49 (0) 3843-855556

Internet:
www.batarow.com