

# MB1365

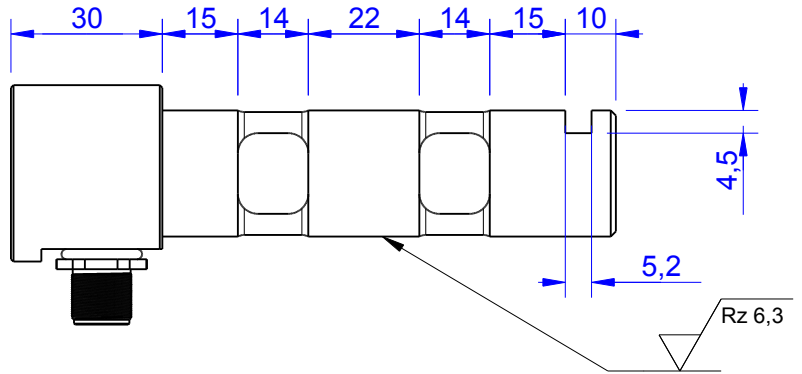
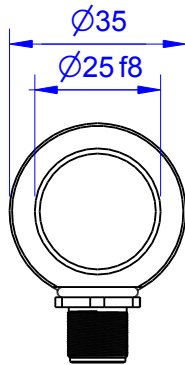
Load Pin

## Content of Loadpin Datasheet

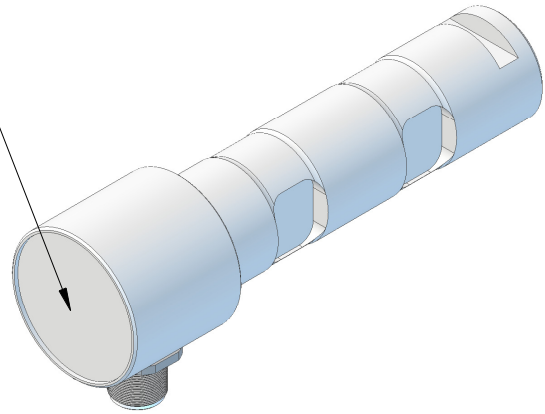
Page 1 ... General

Page 2 ... Mounting Situation

Page 3 ... Output Signal & Wiring



Marking:  
 Loadpin: MBx  
 Orderno.: MBx-xxx-x-x  
 Serialno.: xxxxxxxx  
 www.batarow.com  
 Made in Germany

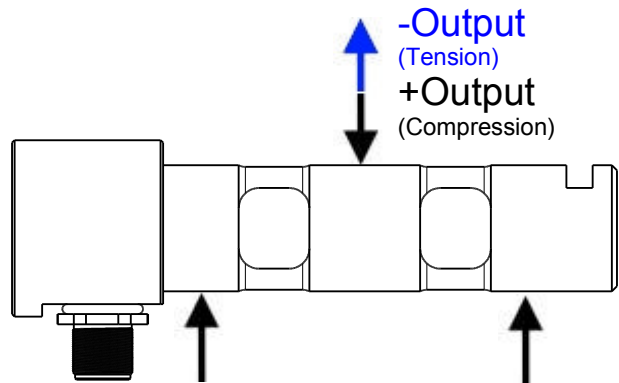


| Order-number   | Capacity (F.S.) | Uncertainty (k=2) | Review |
|----------------|-----------------|-------------------|--------|
| MB1365-2-x-A   | 2 kN            | ±0,010kN          | A      |
| MB1365-5-x-A   | 5 kN            | ±0,025 kN         | A      |
| MB1365-10-x-A  | 10 kN           | ±0,050 kN         | A      |
| MB1365-20-x-A* | 20 kN           | ±0,100 kN         | A      |
| MB1365-50-x-A  | 50 kN           | ±0,250 kN         | A      |

\* above showed version  
 The fixed dimensions don't change at the other capacity.

### Specifications:

| Dimension / Material   |              |                 |
|------------------------|--------------|-----------------|
| Material               |              | Stainless Steel |
| Protection class       |              | IP 66           |
| Hardness (load area)   | HRC          | 40..45          |
| <b>Mechanical Data</b> |              |                 |
| Safe Load Limit        | % of F.S.    | 150             |
| Breaking Load          | % of F.S.    | 300             |
| <b>Precision</b>       |              |                 |
| Nonlinearity           | % of F.S.    | ±0,5            |
| Nonrepeatability       | % of F.S.    | ±0,25           |
| Hysteresis             | % of F.S.    | ±0,2            |
| Temp. Shift Zero       | % of F.S./K. | ±0,05           |
| Temp. Shift Span       | % of F.S./K. | ±0,05           |
| <b>Temperature</b>     |              |                 |
| Compensated Temp.      | °C           | -10...+60       |
| Operating Temp.        | °C           | -20...+70       |



**Batarow**  
 Made in Germany

Batarow Sensorik GmbH  
 Gewerbegebiet 4  
 18276 Lüssow OT Karow

Mail: info@batarow.com  
 Phone: +49 (0) 3843-855555  
 Fax : +49 (0) 3843-855556

Internet:  
 www.batarow.com

# Mounting Situation

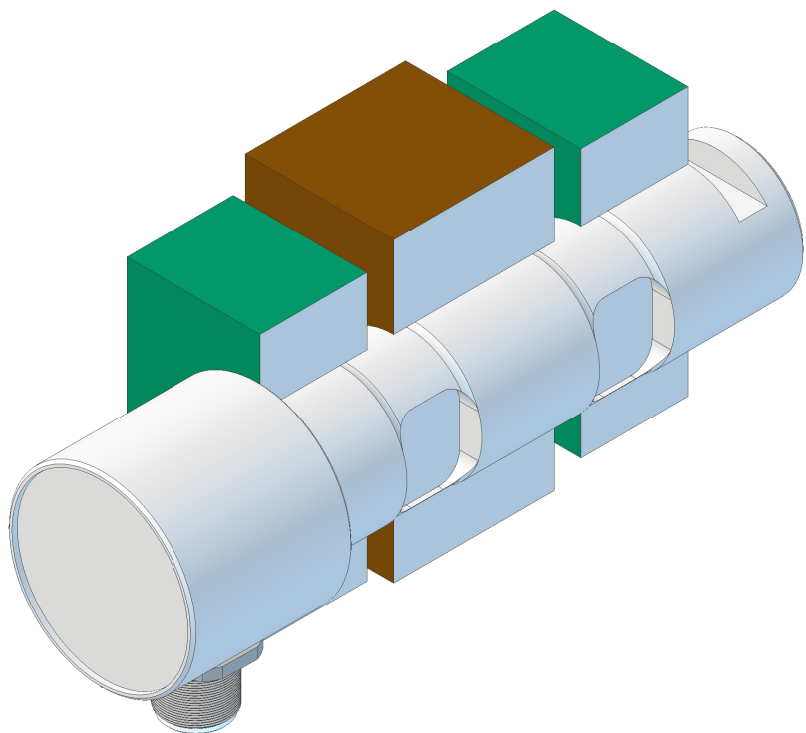
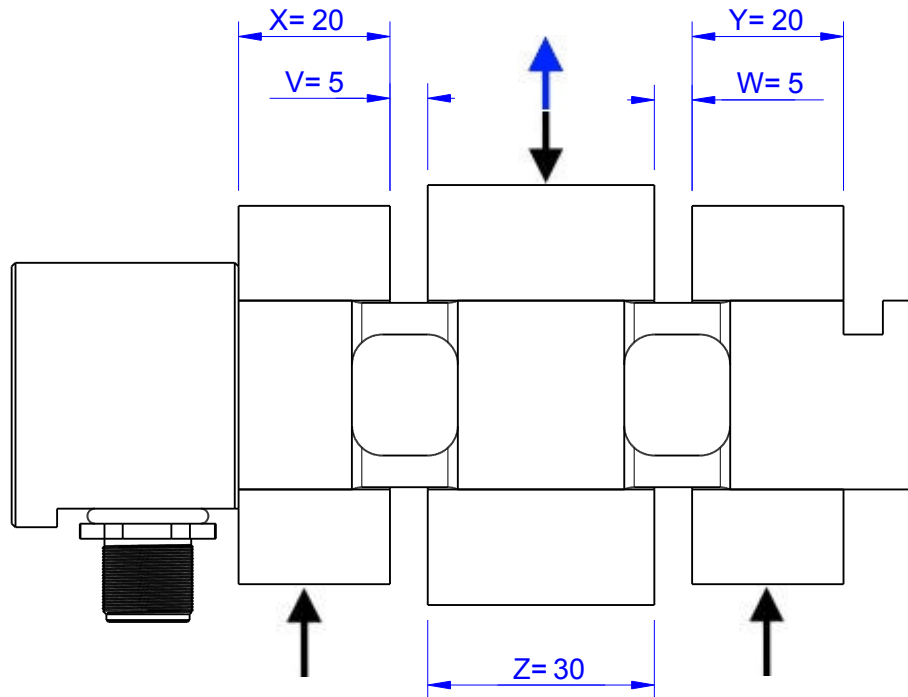
MB1365 Review: A

Bore fit of mounting situation: H7

## Configuration

possible mounting situation / customer mounting could vary

(Please describe mounting situation with Vs, Ws, Xs, Ys and Zs for best possible calibration)



**Batarow**  
Made in Germany

Batarow Sensorik GmbH  
Gewerbegebiet 4  
18276 Lüssow OT Karow

Mail: [info@batarow.com](mailto:info@batarow.com)  
Phone: +49 (0) 3843-855555  
Fax : +49 (0) 3843-855556

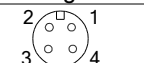
Internet:  
[www.batarow.com](http://www.batarow.com)

# Output Signal & Wiring

MB1365 Review: A

## Analog Output mV/V (S1)

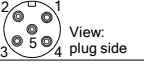
| Electrical Data       |           |         |
|-----------------------|-----------|---------|
| Rated Output          | mV/V@F.S. | 1       |
| Zero Balance          | mV/V      | ±0,05   |
| Exitation (Maximum)   | Volt      | 10      |
| Input Resistance      | Ohm       | 450±100 |
| Output Resistance     | Ohm       | 352±2   |
| Insulating Resistance | GOhm      | >5      |

|   |                        |                           |                     |                     |  |
|---|------------------------|---------------------------|---------------------|---------------------|--|
| Wiringcode: WC58  |                        | Connectortype: M12 (male) |                     |                     |  |
|  | Exitation (+)<br>Pin 1 | Exitation (-)<br>Pin 2    | Bridge (+)<br>Pin 3 | Bridge (-)<br>Pin 4 |  |

Ordernumber Add-On:  
MBxxx-x-S1-x

## Analog Output 1V..10V (U1)\*

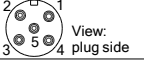
| Electrical Data U1  |     |            |
|---------------------|-----|------------|
| Output @ 0kN        | V   | 1          |
| Output @ F.S.       | V   | 10         |
| Supply Voltage      | V   | 14..28     |
| Current Consumption | mA  | 25 (@ 24V) |
| Bandwidth           | kHz | 1          |

|   |                     |                                |              |               |                |
|---|---------------------|--------------------------------|--------------|---------------|----------------|
| Wiringcode: WC46  |                     | Connectortype: M12 (male plug) |              |               |                |
|  | Supply (+)<br>Pin 1 | Output<br>Pin 4                | GND<br>Pin 3 | Tara<br>Pin 2 | Scale<br>Pin 5 |

Ordernumber Add-On:  
MBxxx-x-U1-x

## Analog Output 4..20mA (I1)\*

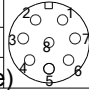
| Electrical Data I1  |     |            |
|---------------------|-----|------------|
| Output @ 0kN        | mA  | 4          |
| Output @ F.S.       | mA  | 20         |
| Supply Voltage      | V   | 14..28     |
| Current Consumption | mA  | 45 (@ 24V) |
| Bandwidth           | kHz | 1          |

|   |                     |                                |              |               |                |
|---|---------------------|--------------------------------|--------------|---------------|----------------|
| Wiringcode: WC46  |                     | Connectortype: M12 (male plug) |              |               |                |
|  | Supply (+)<br>Pin 1 | Output<br>Pin 4                | GND<br>Pin 3 | Tara<br>Pin 2 | Scale<br>Pin 5 |

Ordernumber Add-On:  
MBxxx-x-I1-x

## Analog & Switch Output 0V..10V (U20)\*

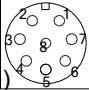
| Electrical Data U20    |    |                |
|------------------------|----|----------------|
| Output @ 0kN           | V  | 0              |
| Output @ F.S.          | V  | 10             |
| Supply Voltage         | V  | 9..28          |
| Current Consumption    | mA | 15 (@ 24V)     |
| Bandwidth              | Hz | 2000           |
| Switching Output       |    | Open Collector |
| max. Switching current | mA | 100            |

|   |       |   |       |
|---|-------|---|-------|
| Wiringcode: WC39                                  |       |  |       |
| Integrated Amplifier: GSV-6                       |       |   |       |
| Cabeling: M12 Male Socket / Flanschstecker (male) |       |   |       |
| Supply(+)   | Pin 1 | Scale   | Pin 5 |
| Ground (-)  | Pin 3 | Threshold   | Pin 6 |
| Output  | Pin 4 | Output Ground   | Pin 7 |
| Tare  | Pin 2 |   |       |

Ordernumber Add-On:  
MBxxx-x-U20-x

## Analog & Switch Output 4..20mA (I20)\*

| Electrical Data I20    |    |                |
|------------------------|----|----------------|
| Output @ 0kN           | mA | 4              |
| Output @ F.S.          | mA | 20             |
| Supply Voltage         | V  | 9..28          |
| Current Consumption    | mA | 35 (@ 24V)     |
| Bandwidth              | Hz | 2000           |
| Switching Output       |    | Open Collector |
| max. Switching current | mA | 100            |

|   |       |   |       |
|---|-------|---|-------|
| Wiringcode: WC39                                  |       |  |       |
| Integrated Amplifier: GSV-6                       |       |   |       |
| Cabeling: M12 Male Socket / Flanschstecker (male) |       |   |       |
| Supply(+)   | Pin 1 | Scale   | Pin 5 |
| Ground (-)  | Pin 3 | Threshold   | Pin 6 |
| Output  | Pin 4 | Output Ground   | Pin 7 |
| Tare  | Pin 2 |   |       |

Ordernumber Add-On:  
MBxxx-x-I20-x

Attention: Nipple orientation of connector is not fixed. In case of 90° connector - it is necessary to set by customer.

\*Attention: With this output configuration is no negative signal (Tension) possible. Please ask our engineering for 4..12..20mA; 1..5..9V or ±10V versions.

**Batarow**  
Made in Germany

Batarow Sensorik GmbH  
Gewerbegebiet 4  
18276 Lüssow OT Karow

Mail: [info@batarow.com](mailto:info@batarow.com)  
Phone: +49 (0) 3843-855555  
Fax : +49 (0) 3843-855556

**Internet:**  
[www.batarow.com](http://www.batarow.com)