

MB1343

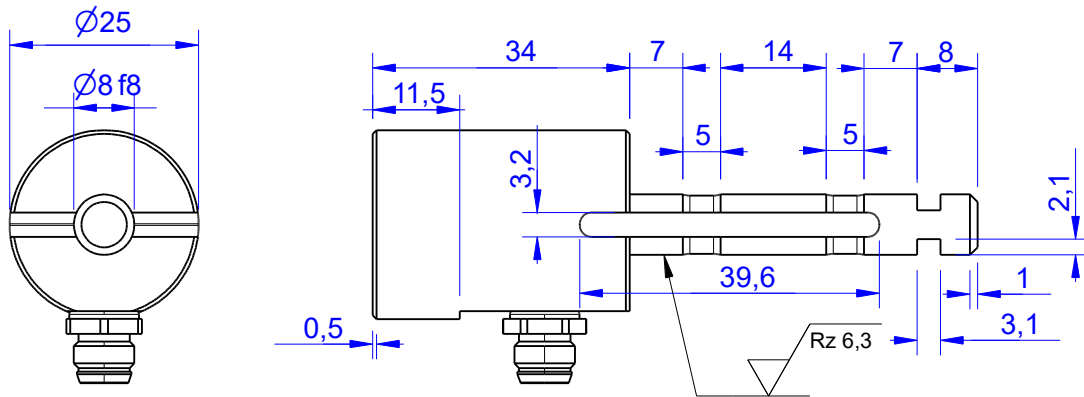
Load Pin

Content of Loadpin Datasheet

Page 1 ... General

Page 2 ... Mounting Situation

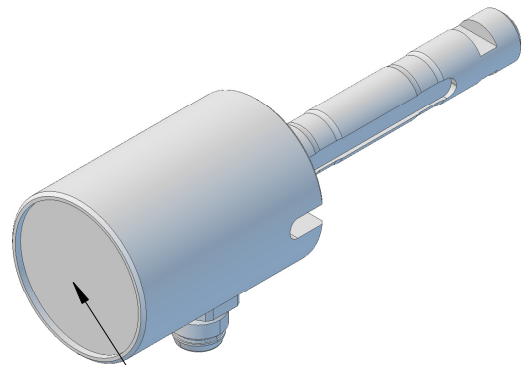
Page 3 ... Output Signal & Wiring



Order-number	Capacity (F.S.)	Uncertainty (k=2)	Review
MB1343-1-x-A	1 kN	±0,005kN	A
MB1343-1,5-x-A	1,5 kN	±0,0075 kN	A
MB1343-2-x-A	2 kN	±0,010 kN	A
MB1343-2,5-x-A	2,5 kN	±0,0125 kN	A
MB1343-3-x-A*	3 kN	±0,015 kN	A

* above showed version

The fixed dimensions don't change at the other capacity.

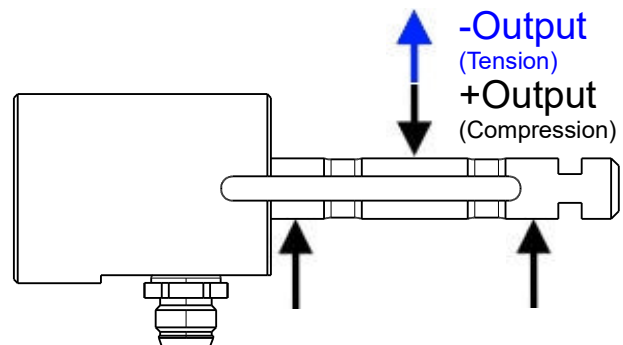


Marking:

Loadpin: MBx
 Orderno.: MBx-xxx-x-x
 Serialno.: xxxxxxxx
 www.batarow.com
 Made in Germany

Specifications:

Dimension / Material		
Material		Stainless Steel
Protection class		IP 66
Hardness (load area)	HRC	40..45
Mechanical Data		
Safe Load Limit	% of F.S.	120
Breaking Load	% of F.S.	200
Precision		
Nonlinearity	% of F.S.	±0,5
Nonrepeatability	% of F.S.	±0,25
Hysteresis	% of F.S.	±0,2
Temp. Shift Zero	% of F.S./K.	±0,05
Temp. Shift Span	% of F.S./K.	±0,05
Temperature		
Compensated Temp.	°C	-10...+60
Operating Temp.	°C	-20...+70



Batarow
 Made in Germany

Batarow Sensorik GmbH
 Gewerbegebiet 4
 18276 Lüssow OT Karow

Mail: info@batarow.com
 Phone: +49 (0) 3843-855555
 Fax : +49 (0) 3843-855556

Internet:
 www.batarow.com

Mounting Situation

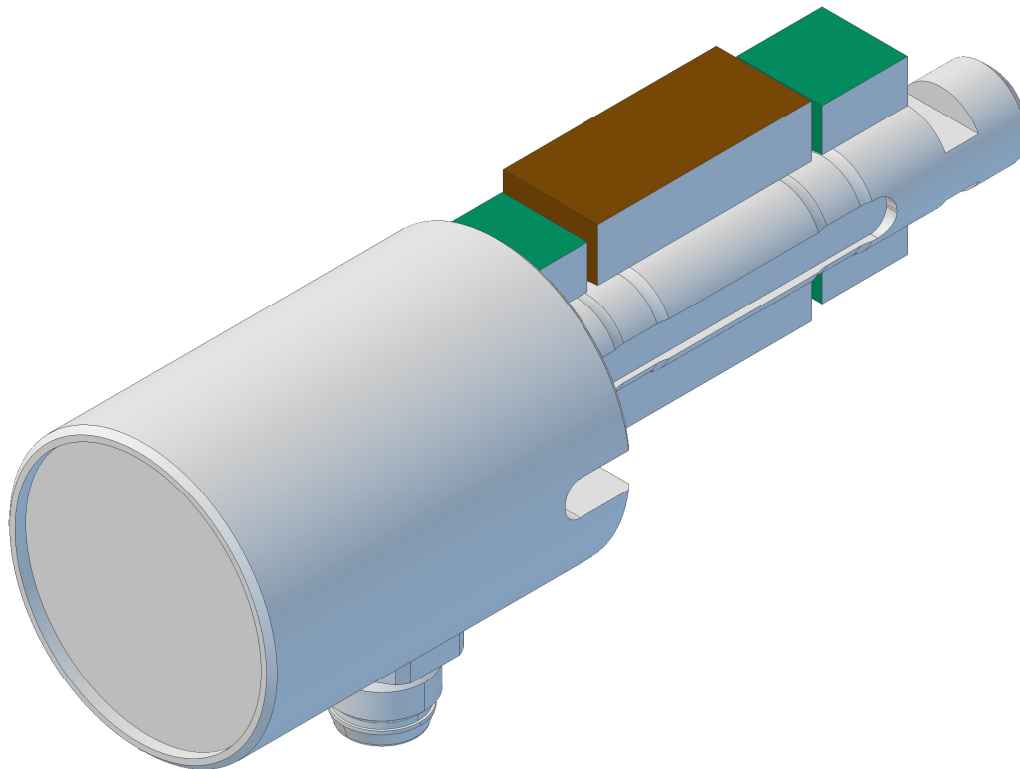
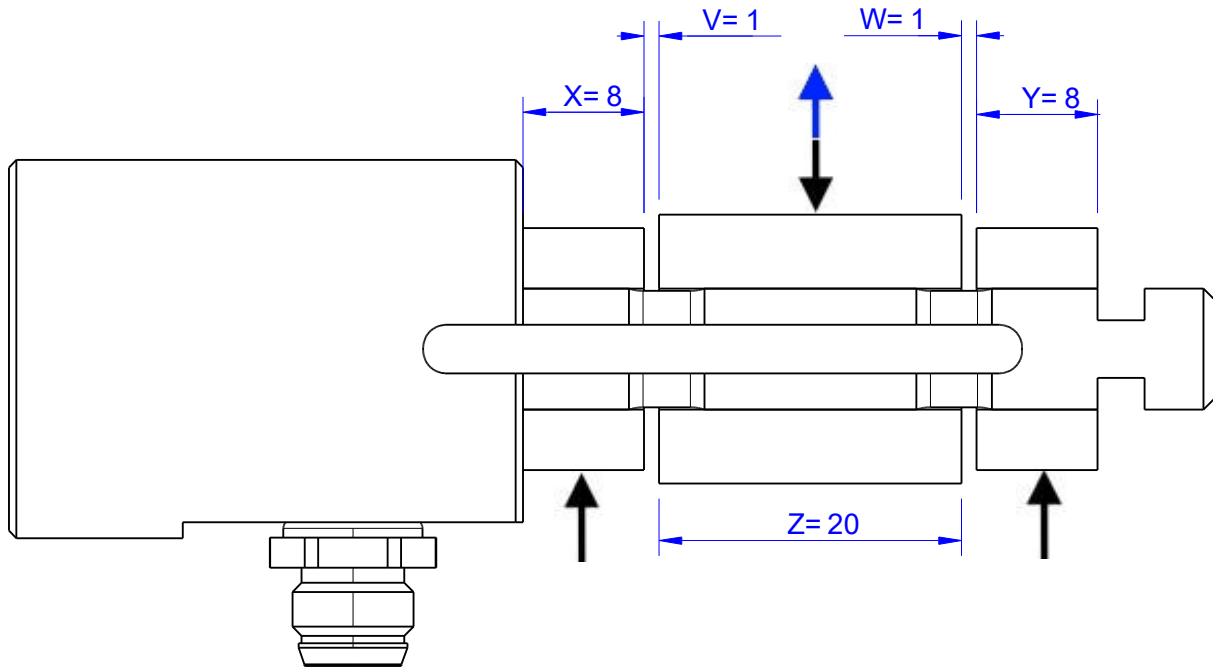
MB1343 Review: A

Bore fit of mounting situation: H7

Configuration

possible mounting situation / customer mounting could vary

(Please describe mounting situation with Vs, Ws, Xs, Ys and Zs for best possible calibration)



Batarow
Made in Germany

Batarow Sensorik GmbH
Gewerbegebiet 4
18276 Lüssow OT Karow

Mail: info@batarow.com
Phone: +49 (0) 3843-855555
Fax : +49 (0) 3843-855556

Internet:
www.batarow.com

Output Signal & Wiring

MB1343 Review: A

Analog Output mV/V (S1)

Electrical Data		
Rated Output	mV/V@F.S.	1
Zero Balance	mV/V	±0,05
Excitation (Maximum)	Volt	10
Input Resistance	Ohm	450±100
Output Resistance	Ohm	352±2
Insulating Resistance	GOhm	>5

Wiringcode: WC58		Connectortype: M8 (male)		
	Excitation(+)	Excitation(-)	Bridge (+)	Bridge (-)
	Pin 1	Pin 2	Pin 3	Pin 4

Ordernumber Add-On:
MBxxx-x-S1-x

Analog Output 1V..10V (U1)*

Electrical Data U1		
Output @ 0kN	V	0,5
Output @ F.S.	V	4,5
Supply Voltage	V	12
Current Consumption	mA	25 (@ 24V)
Bandwidth	kHz	1

Ordernumber Add-On:
MBxxx-x-U1-x

Wiringcode: WC518								
Sensor			M8 Male Plug	Supply (+)	GND	Output	Tara	Scale
		View: plug side		Pin 1	Pin 3	Pin 4	Pin 2	Pin 5 internal use
Connector cable			M8 Female Socket	Pin 1	Pin 3	Pin 4	Pin 2	Pin 5
		View: female side		Brown	Blue	Black	White	grey

Analog Output 4..20mA (I4)*

Electrical Data I1		
Output @ 0kN	mA	4
Output @ F.S.	mA	20
Supply Voltage	V	12
Current Consumption	mA	45 (@ 24V)
Bandwidth	kHz	1

Ordernumber Add-On:
MBxxx-x-I4-x

Wiringcode: WC518								
Sensor			M8 Male Plug	Supply (+)	GND	Output	Tara	Scale
		View: plug side		Pin 1	Pin 3	Pin 4	Pin 2	Pin 5 internal use
Connector cable			M8 Female Socket	Pin 1	Pin 3	Pin 4	Pin 2	Pin 5
		View: female side		Brown	Blue	Black	White	grey

Attention: Nipple orientation of connector is not fixed. In case of 90° connector - it is necessary to set by customer.

*Attention: With this output configuration is no negative signal (Tension) possible. Please ask our engineering for 4..12..20mA; 1..5..9V or ±10V versions.

Batarow
Made in Germany

Batarow Sensorik GmbH
Gewerbegebiet 4
18276 Lüssow OT Karow

Mail: info@batarow.com
Phone: +49 (0) 3843-855555
Fax : +49 (0) 3843-855556

Internet:
www.batarow.com