

# MB1269

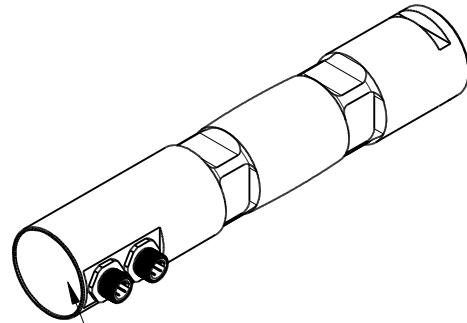
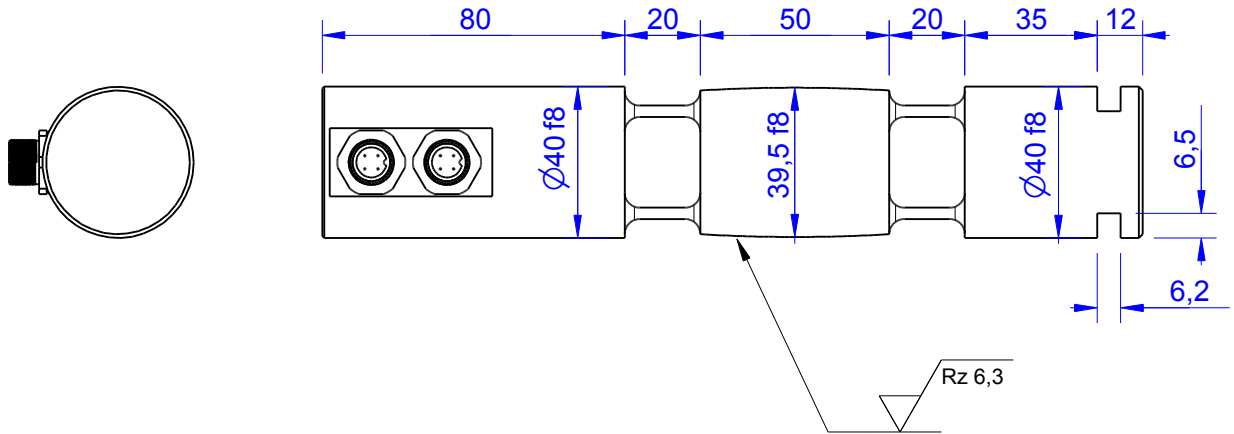
Redundant Load Pin

## Content of Loadpin Datasheet

Page 1 ... General

Page 2 ... Mounting Situation

Page 3 ... Output Signal & Wiring



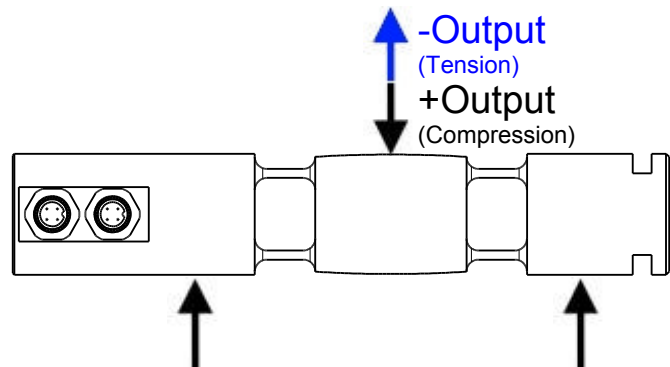
Marking:  
Loadpin: MBx  
Orderno.: MBx-xxx-x-x  
Serialno.: xxxxxxxx  
www.batarow.com  
Made in Germany

| Order-number   | Capacity (F.S.) | Uncertainty (k=2) | Review |
|----------------|-----------------|-------------------|--------|
| MB1269-2-x-D   | 2 kN            | $\pm 0,010$ kN    | D      |
| MB1269-5-x-D   | 5 kN            | $\pm 0,025$ kN    | D      |
| MB1269-10-x-D  | 10 kN           | $\pm 0,050$ kN    | D      |
| MB1269-20-x-D  | 20 kN           | $\pm 0,100$ kN    | D      |
| MB1269-50-x-D* | 50 kN           | $\pm 0,250$ kN    | D      |

\* above showed version  
The fixed dimensions don't change at the other capacity.

### Specifications:

| Dimension / Material   |              |                 |
|------------------------|--------------|-----------------|
| Material               |              | Stainless Steel |
| Protection class       |              | IP 66           |
| Hardness (load area)   | HRC          | 40..45          |
| <b>Mechanical Data</b> |              |                 |
| Safe Load Limit        | % of F.S.    | 150             |
| Breaking Load          | % of F.S.    | 250             |
| <b>Precision</b>       |              |                 |
| Nonlinearity           | % of F.S.    | $\pm 0,5$       |
| Nonrepeatability       | % of F.S.    | $\pm 0,25$      |
| Hysteresis             | % of F.S.    | $\pm 0,2$       |
| Temp. Shift Zero       | % of F.S./K. | $\pm 0,05$      |
| Temp. Shift Span       | % of F.S./K. | $\pm 0,05$      |
| <b>Temperature</b>     |              |                 |
| Compensated Temp.      | °C           | -10...+60       |
| Operating Temp.        | °C           | -20...+70       |



**Batarow**  
Made in Germany

Batarow Sensorik GmbH  
Gewerbegebiet 4  
18276 Lüssow OT Karow

Mail: info@batarow.com  
Phone: +49 (0) 3843-855555  
Fax : +49 (0) 3843-855556

Internet:  
www.batarow.com

# Mounting Situation

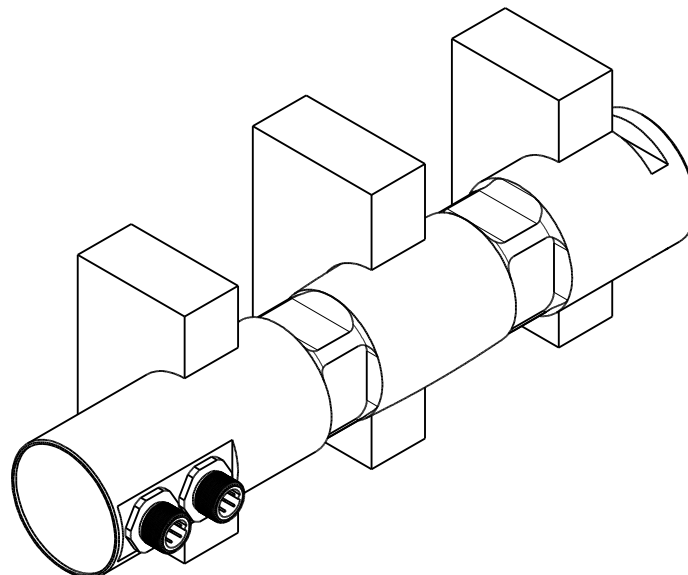
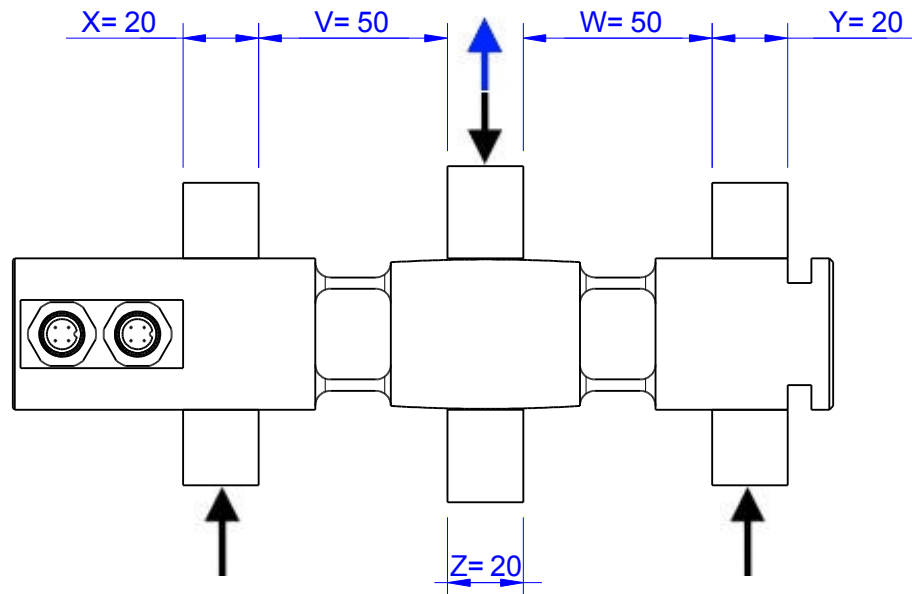
MB1269 Review: D

Bore fit of mounting situation: H7

## Configuration

possible mounting situation / customer mounting could vary

(Please describe mounting situation with Vs, Ws, Xs, Ys and Zs for best possible calibration)



**Batarow**  
Made in Germany

Batarow Sensorik GmbH  
Gewerbegebiet 4  
18276 Lüssow OT Karow

Mail: [info@batarow.com](mailto:info@batarow.com)  
Phone: +49 (0) 3843-855555  
Fax : +49 (0) 3843-855556

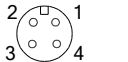
Internet:  
[www.batarow.com](http://www.batarow.com)

# Output Signal & Wiring

MB1269 Review: D

## Analog Output mV/V (S1)

| Electrical Data       |           |         |
|-----------------------|-----------|---------|
| Rated Output          | mV/V@F.S. | 1       |
| Zero Balance          | mV/V      | ±0,05   |
| Excitation (Maximum)  | Volt      | 10      |
| Input Resistance      | Ohm       | 450±100 |
| Output Resistance     | Ohm       | 352±2   |
| Insulating Resistance | GOhm      | >5      |

| Wiringcode: WC58  |                | Connectortype: M12 (male) |            |            |  |
|---|----------------|---------------------------|------------|------------|--|
|  | Excitation (+) | Excitation (-)            | Bridge (+) | Bridge (-) |  |
|   | Pin 1          | Pin 2                     | Pin 3      | Pin 4      |  |

Ordernumber Add-On:  
MBxxx-x-S1-x

Attention: Nipple orientation of connector is not fixed. In case of 90° connector - it is necessary to set by customer.

**Batarow**  
Made in Germany

Batarow Sensorik GmbH  
Gewerbegebiet 4  
18276 Lüssow OT Karow

Mail: [info@batarow.com](mailto:info@batarow.com)  
Phone: +49 (0) 3843-855555  
Fax : +49 (0) 3843-855556

**Internet:**  
[www.batarow.com](http://www.batarow.com)