

# MB1185

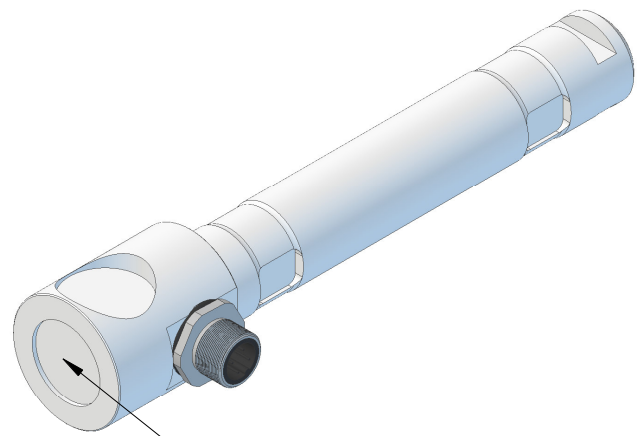
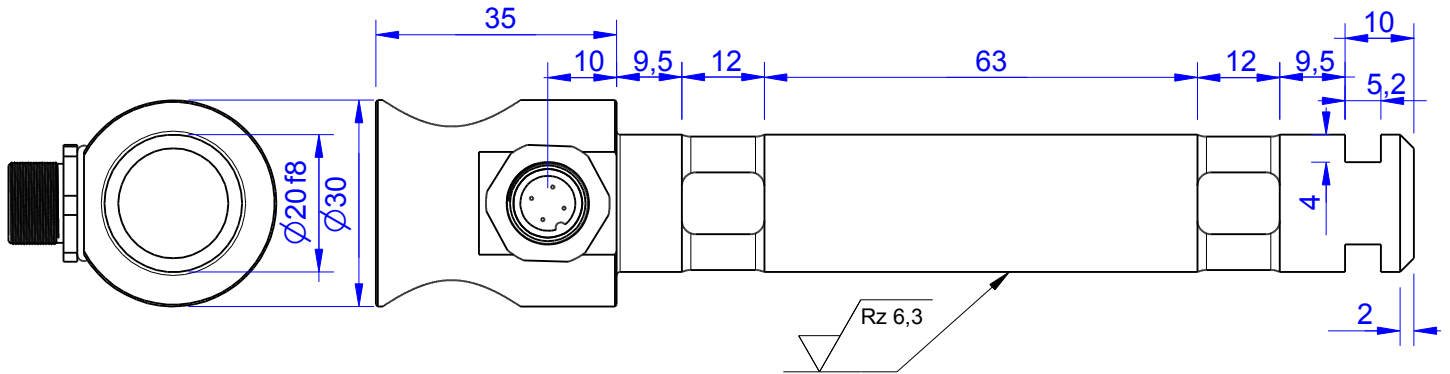
Load Pin

## Content of Loadpin Datasheet

Page 1 ... General

Page 2 ... Mounting Situation

Page 3 ... Output Signal & Wiring

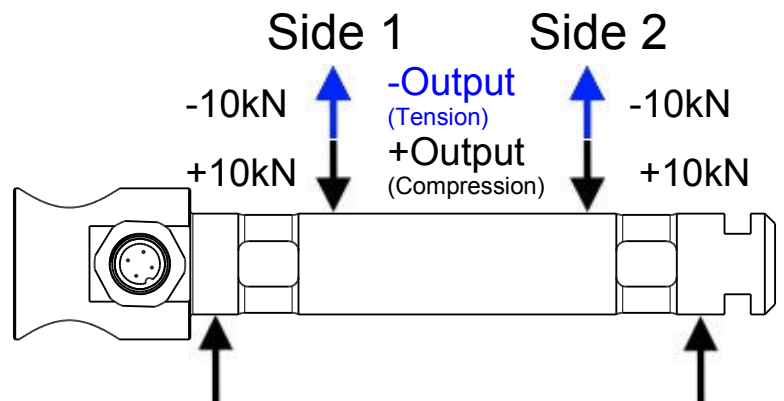


Marking:  
 Loadpin: MBx  
 Orderno.: MBx-xxx-x-x  
 Serialno.: xxxxxxxx  
 www.batarow.com  
 Made in Germany

Order-number	Capacity (F.S.)	Uncertainty (k=2)	Review
MB1185-10-x-D	10 kN	±0,05kN	D

### Specifications:

Dimension / Material		Stainless Steel
Material		Stainless Steel
Protection class		IP 66
Hardness (load area)	HRC	40..45
<b>Mechanical Data</b>		
Safe Load Limit	% of F.S.	120
Breaking Load	% of F.S.	200
<b>Precision</b>		
Nonlinearity	% of F.S.	±0,5
Nonrepeatability	% of F.S.	±0,25
Hysteresis	% of F.S.	±0,2
Temp. Shift Zero	% of F.S./K.	±0,05
Temp. Shift Span	% of F.S./K.	±0,05
<b>Temperature</b>		
Compensated Temp.	°C	-10...+60
Operating Temp.	°C	-20...+70



**Batarow**  
 Made in Germany

Batarow Sensorik GmbH  
 Pappelweg 16  
 18276 Lüssow OT Karow

Mail: info@batarow.com  
 Phone: +49 (0) 3843-855555  
 Fax : +49 (0) 3843-218842

**Internet:**  
 www.batarow.com

# Mounting Situation

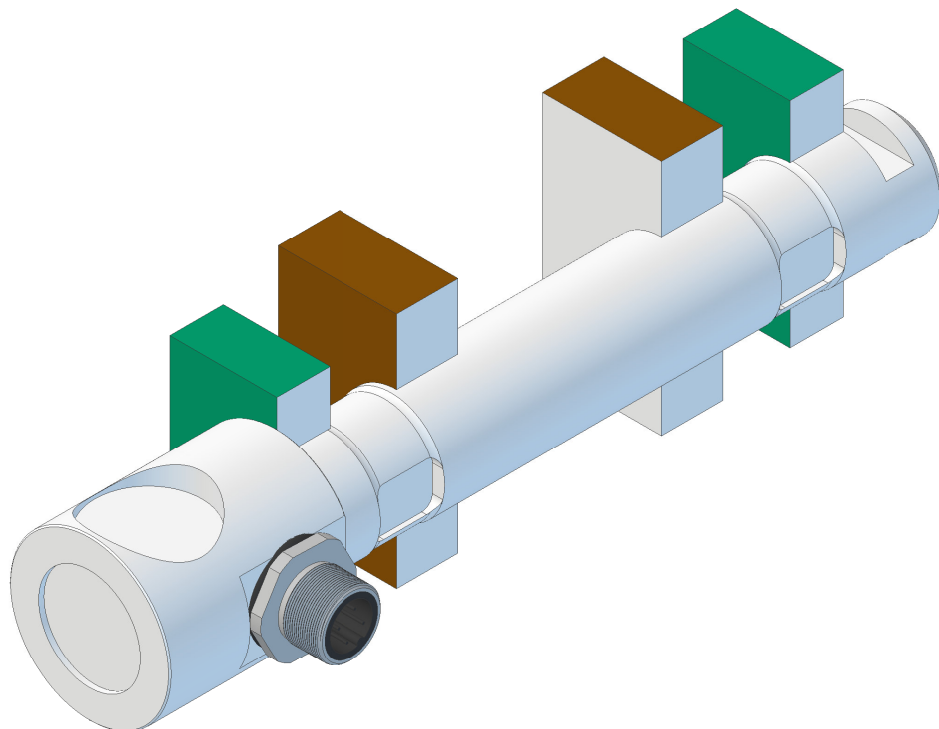
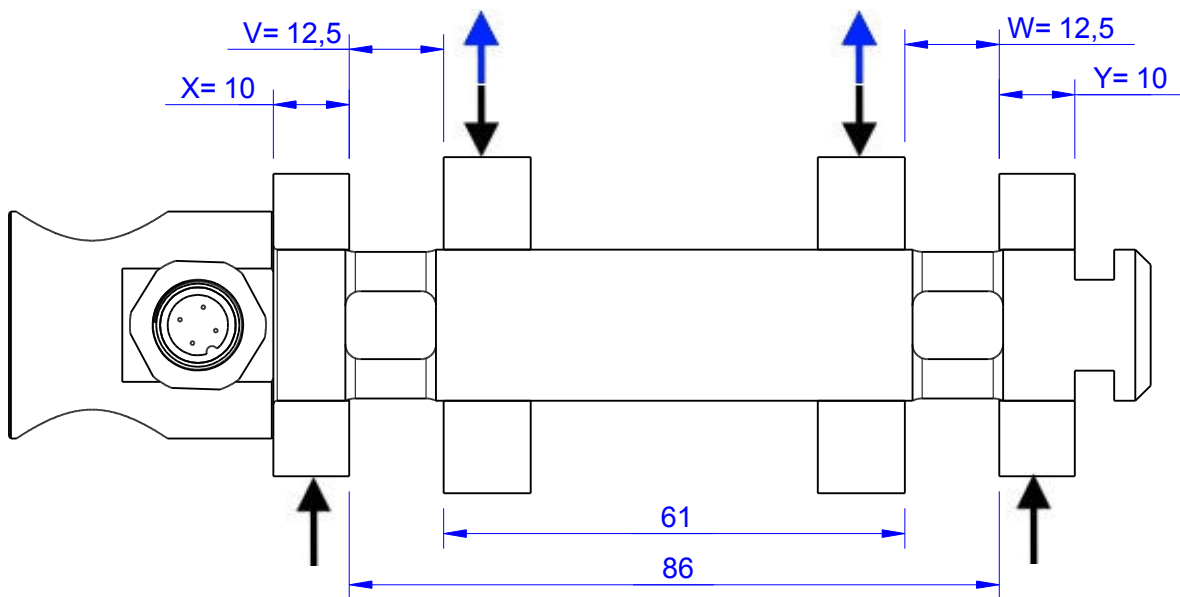
MB1185 Review: D

Bore fit of mounting situation: H7

## Configuration

possible mounting situation / customer mounting could vary

(Please describe mounting situation with Vs, Ws, Xs, Ys and Zs for best possible calibration)



**Batarow**  
Made in Germany

Batarow Sensorik GmbH  
Pappelweg 16  
18276 Lüssow OT Karow

Mail: [info@batarow.com](mailto:info@batarow.com)  
Phone: +49 (0) 3843-855555  
Fax : +49 (0) 3843-218842


Internet:  
[www.batarow.com](http://www.batarow.com)

# Output Signal & Wiring

MB1185 Review: D

## Analog Output mV/V (S1)

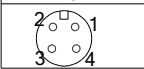
Electrical Data		
Rated Output	mV/V@F.S.	1
Zero Balance	mV/V	±0,05
Excitation (Maximum)	Volt	10
Input Resistance	Ohm	450±100
Output Resistance	Ohm	352±2
Insulating Resistance	GOhm	>5

Wiringcode: WC65 (Channel 1 & 2)				
Cabeling: M12 Male Socket / Flanschdose (male)				
+Us (1)	Pin 2 / brown	+Us (2)	Pin 6 / pink	
-Us (1)	Pin 1 / white	-Us (2)	Pin 5 / grey	
+Ud (1)	Pin 3 / green	+Ud (2)	Pin 7 / blue	
-Ud (1)	Pin 4 / yellow	-Ud (2)	Pin 8 / red	

Ordernumber Add-On:  
MBxxx-x-S1-x

## Analog Output 0,5V..4,5V (U5)\*

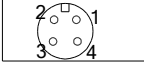
Electrical Data U5		
Output @ -F.S.	V	0,5±0,1
Output @ 0kN	V	2,5±0,1
Output @ +F.S.	V	4,5±0,1
Supply Voltage	V	24±1
Current Consumption	mA	25
Bandwidth	kHz	1

Wiringcode: WC48		Connectortype: M12 (male, code A)		
	Supply (+)	GND	Output 1	Output 2
	Pin 1	Pin 2	Pin 3	Pin 4

Ordernumber Add-On:  
MBxxx-x-U5-x

## Analog Output 4..20mA (I4)\*

Electrical Data I4		
Output @ -F.S.	mA	4±0,3
Output @ 0kN	mA	12±0,3
Output @ +F.S.	mA	20±0,3
Supply Voltage	V	24±1
Current Consumption	mA	45 (@ 24V)
Bandwidth	kHz	1

Wiringcode: WC48		Connectortype: M12 (male, code A)		
	Supply (+)	GND	Output 1	Output 2
	Pin 1	Pin 2	Pin 3	Pin 4

Ordernumber Add-On:  
MBxxx-x-I4-x

Attention: Nipple orientation of connector is not fixed. In case of 90° connector - it is necessary to set by customer.

**Batarow**  
Made in Germany

Batarow Sensorik GmbH  
Pappelweg 16  
18276 Lüssow OT Karow

Mail: [info@batarow.com](mailto:info@batarow.com)  
Phone: +49 (0) 3843-855555  
Fax : +49 (0) 3843-218842

Internet:  
[www.batarow.com](http://www.batarow.com)