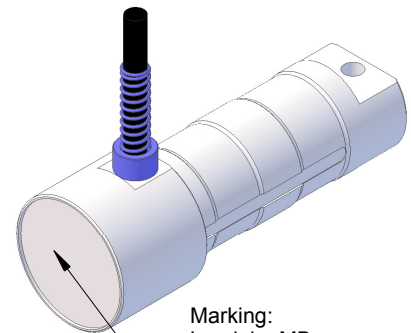


Order-number	Capacity (F.S.)	Uncertainty (k=2)	Review
GBA16-1-x-A	1 kN	±0,005kN	A
GBA16-2-x-A	2 kN	±0,010 kN	A
GBA16-4-x-A	4 kN	±0,020 kN	A
GBA16-10-x-A	10 kN	±0,050 kN	A
GBA16-15-x-A*	15 kN	±0,075 kN	A

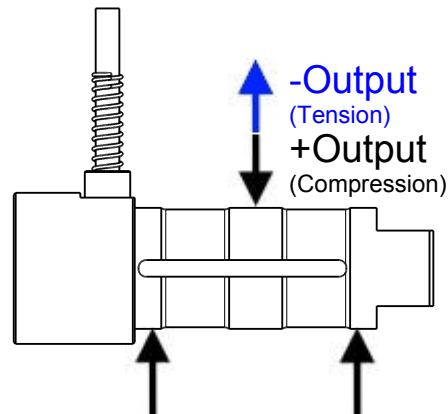
* above showed version
The fixed dimensions don't change at the other capacity.



Marking:
Loadpin: MBx
Orderno.: MBx-xxx-x-x
Serialno.: xxxxxxxx
www.batarow.com
Made in Germany

Specifications:

Dimension / Material		
Material		Stainless Steel
Protection class		IP 64
Hardness (load area)	HRC	40..45
Mechanical Data		
Safe Load Limit	% of F.S.	150
Breaking Load	% of F.S.	300
Precision		
Nonlinearity	% of F.S.	±0,5
Nonrepeatability	% of F.S.	±0,25
Hysteresis	% of F.S.	±0,2
Temp. Shift Zero	% of F.S./K.	±0,05
Temp. Shift Span	% of F.S./K.	±0,05
Temperature		
Compensated Temp.	°C	-10...+60
Operating Temp.	°C	-20...+70



Mounting Situation

GBA16 Review: A

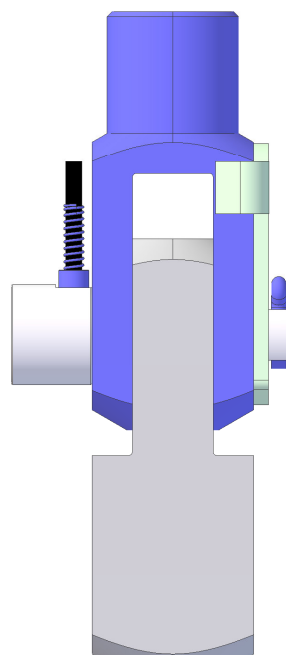
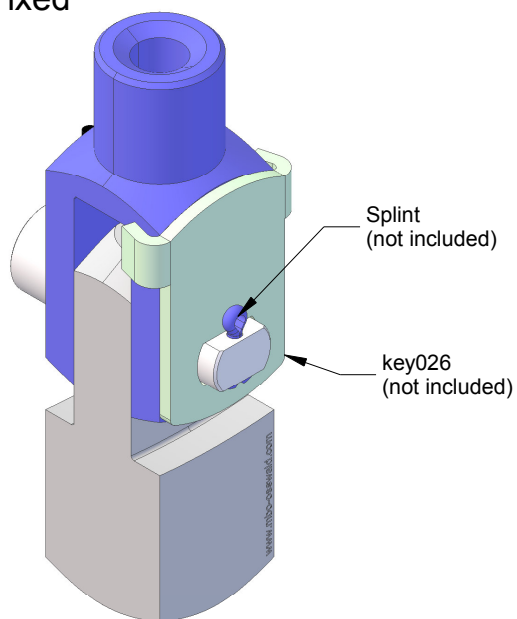
Bore fit of mounting situation: H7

Configuration

possible mounting situation / customer mounting could vary

(Please describe mounting situation with Vs, Ws, Xs, Ys and Zs for best possible calibration)

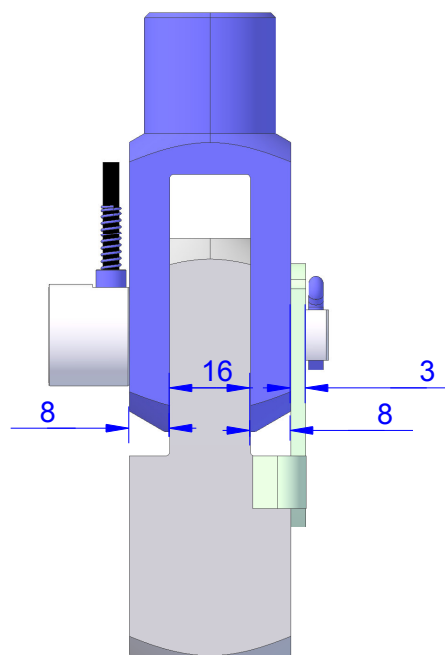
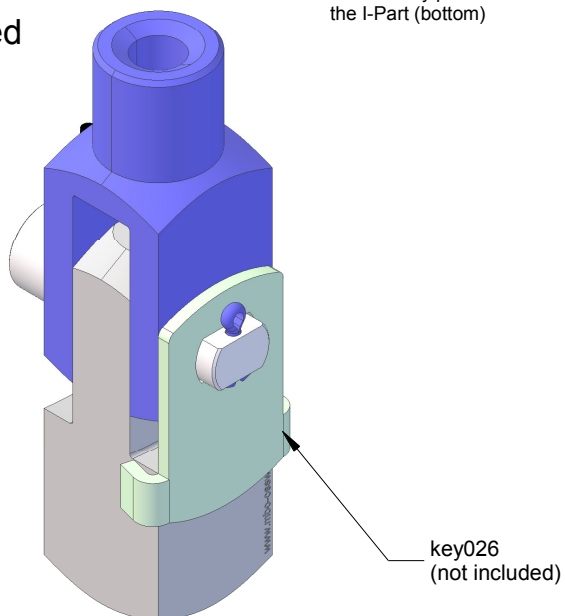
U-Fixed



Difference between "U and I Fixed"

The direction of the loadpin is connected with the key plate to the U-Part (top) or to the I-Part (bottom)

I-Fixed



Output Signal & Wiring

GBA16 Review: A

Analog Output mV/V (S1)

Electrical Data		
Rated Output	mV/V@F.S.	1
Zero Balance	mV/V	±0,05
Excitation (Maximum)	Volt	10
Input Resistance	Ohm	1200±200
Output Resistance	Ohm	1002±2
Insulating Resistance	GOhm	>5

Wiringcode: WC52		Cabletype: 24-4		
Cable Length	Excitation (+)	Excitation (-)	Bridge (+)	Bridge (-)
3 m	brown	white	green	yellow

Ordernumber Add-On:
MBxxx-x-S1-x

Analog Output 1V..10V (U1)*

Electrical Data U1		
Output @ 0kN	V	1±0,2
Output @ F.S.	V	10±0,2
Supply Voltage	V	24±2
Current Consumption	mA	25 (@ 24V)
Bandwidth	kHz	0,3

Wiringcode: WC23			
Cabeling: 3 m 24-4			
Supply(+)	Ground (-)	Output	n.c.
brown	white	green	yellow

Ordernumber Add-On:
MBxxx-x-U1-x

Analog Output 4..20mA (I1)*

Electrical Data I1		
Output @ 0kN	mA	4±0,5
Output @ F.S.	mA	20±0,5
Supply Voltage	V	24±2
Current Consumption	mA	45 (@ 24V)
Bandwidth	kHz	0,3

Wiringcode: WC23			
Cabeling: 3 m 24-4			
Supply(+)	Ground (-)	Output	n.c.
brown	white	green	yellow

Ordernumber Add-On:
MBxxx-x-I1-x

Attention: Nipple orientation of connector is not fixed. In case of 90° connector - it is necessary to set by customer.

*Attention: With this output configuration is no negative signal (Tension) possible. Please ask our engineering for 4..12..20mA; 1..5..9V or ±10V versions.

Batarow
Made in Germany

Batarow Sensorik GmbH
Pappelweg 16
18276 Lüssow OT Karow

Mail: info@batarow.com
Phone: +49 (0) 3843-855555
Fax : +49 (0) 3843-218842

Internet:
www.batarow.com